

1500LB ATV TRAILER



Instruction & Assembly

SAVE THESE INSTRUCTIONS FOR FUTURE REFERENCE

Table of Contents

General Warnings and Rules.....3,4

Controls and Features Identification.....5

Component & Hardware.....6

Assembly Instructions.....7, 8, 9,10,11

Operation Instructions.....12

Maintenance and Storage.....13

Specification.....14

Parts Drawing & Parts List.....15, 16

Limited Warranty.....17

GENERAL WARNINGS

READ and UNDERSTAND this manual completely before using Trailer.

Operator must read and understand all safety and warning information, operating instructions, maintenance and storage instructions before operating this equipment. Failure to properly operate and maintain the trailer could result in serious injury to the operator or bystanders.

Operation Warnings

- Do not at any time carry passengers sit or stand on the trailer.
- Do not allow children to play on, stand upon or climb in the trailer.
- Always inspect the trailer before using to assure it is in good working condition.
- Replace or repair damaged or worn parts immediately.
- Always check and tighten hardware and assembled parts before operation.
- Do not exceed equipment maximum load capacity of 1500lb.
- Avoid large holes and ditches when transporting loads.
- Be careful when operating on steep grades (hill) the trailer may tip over.
- ALWAYS operate at reduce speed in rough terrain, along creeks, ditches and on hillsides.
- Do not operate close to creeks, ditches and public highways.
- To avoid personal injury and/or equipment damage DO NOT EXCEED 30 MPH.
- Always use caution when loading and unloading the trailer.
- Only tow with recommended vehicles (Lawn/Garden Tractors and ATVs).

Crush and Cut Hazards

- Always keep hands and feet clear from moving parts while operating the equipment.
- Always clear and keep work area clean when operating.
- Always wear safety gear, eye protection, gloves and work boots when operating the trailer.

WARNING

The warnings, cautions, and instructions outlined in this instruction manual cannot cover all possible conditions or situations that may occur. It must be understood by the operator that common sense and caution are factors which cannot be built into this product and must be supplied by the operator.






PROP 65 WARNING

This product contains chemicals known to the state of California to cause cancer, birth defects, or other reproductive harm.

Assembly Is Required

This product requires assembly before use. See “Assembly” section for instructions. Because of the weight and/or size of the trailer, it is recommended that another adult be present to assist with the assembly. **INSPECT ALL COMPONENTS** closely upon receipt to make sure no components are missing or damaged.

Hazard Signal Word Definitions

	<p>This is the safety alert symbol. It is used to alert you to potential personal injury hazards. Obey all safety messages that follow this symbol to avoid possible injury or death.</p>
	<p>DANGER indicates an imminently hazardous situation which, if not avoided, will result in death or serious injury.</p>
	<p>WARNING indicates a potentially hazardous situation which, if not avoided, could result in death or serious injury.</p>
	<p>CAUTION indicates a potentially hazardous situation which, if not avoided, may result in minor or moderate injury.</p>
	<p>CAUTION used without the safety alert symbol indicates a potentially hazardous situation which, if not avoided, may result in property damage.</p>

ABOUT YOUR TRAILER

This trailer has a roughed steel construction and is designed to carry a wide range of materials. The trailer will easily haul up to 1500lbs of tools, firewood, animal feed, trash, landscaping materials, cement or anything else that needs to be moved. Easy to use removable tailgate makes loading and un-loading fast and convenient. Never exceed the rated load capacity of 1500lbs when operating the trailer.

Technical specifications on the trailer are provided in the "Specifications" section of this manual.

Controls and Features Identification

Read this owner's manual before operating the equipment. Familiarize yourself with the location and function of the controls and features. Save this manual for future reference



- 1) **2" Coupler** – Attaches the trailer to the 2" ball.
- 2) **Removable Tailgate** – Push up to remove for loading and unloading.
- 3) **Tires / Wheel** – Do not exceed the recommended rate 30 PSI.
- 4) **Trailer Box** – Do not exceed rated load capacity 1500lb.



CAUTION

Read and follow all instructions for assembly and operation. Failure to properly assemble this equipment could result in serious injury to the user or bystanders, or cause equipment damage.

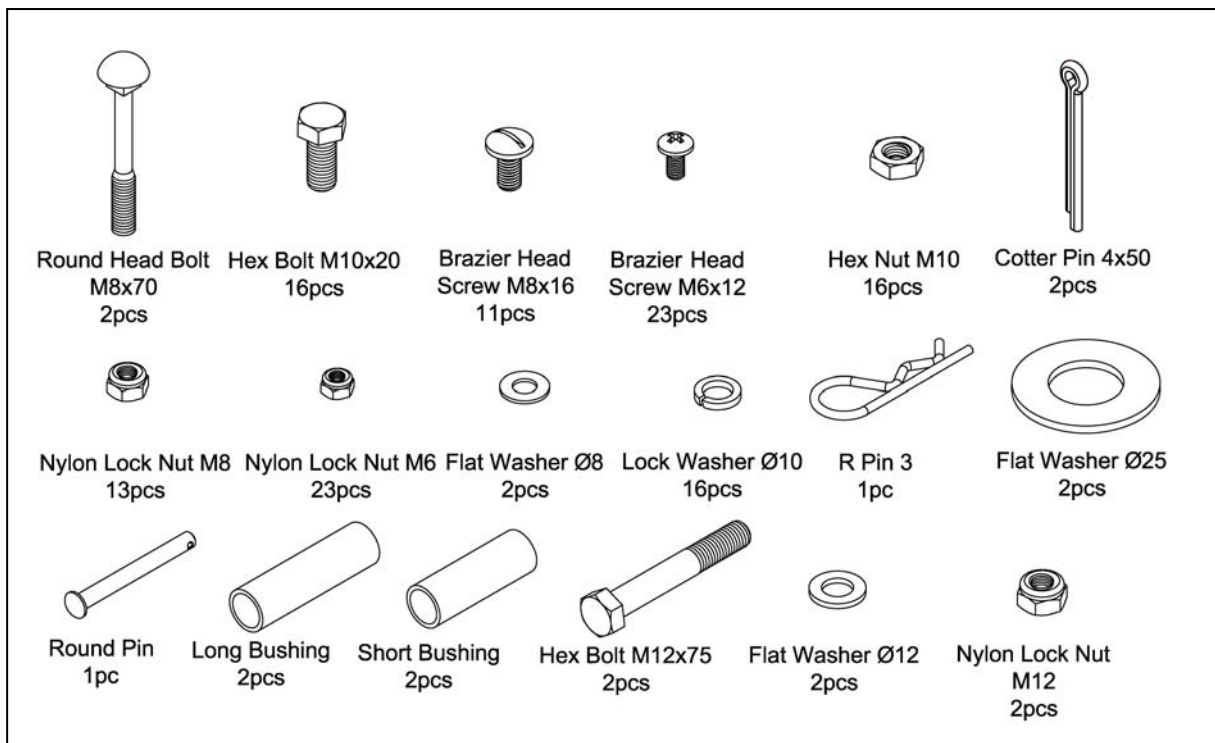
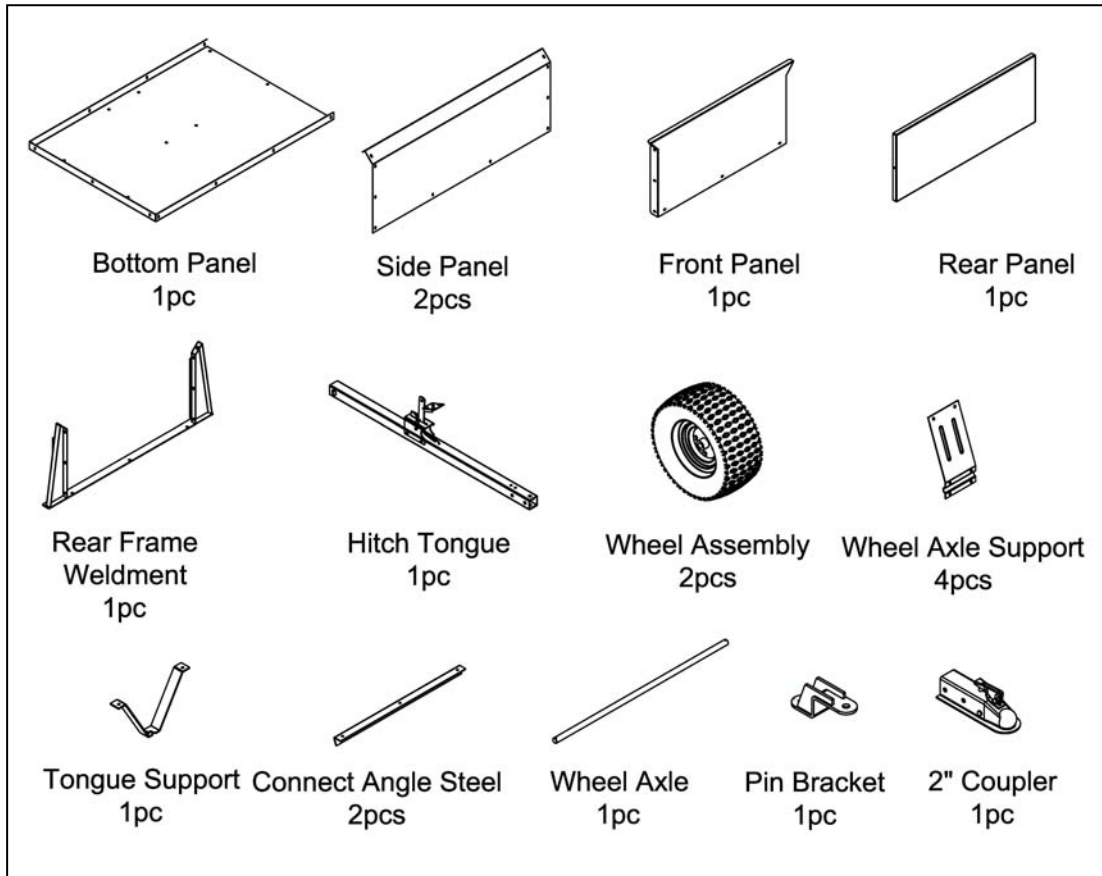
TRAILER COMPONENT PARTS AND ASSEMBLY

Take all parts out of the box and inspect components to ensure there are no missing pieces before starting to assemble the trailer follow steps 1 through 10.

TOOLS REQUIRED

- Plier
- Screw Driver
- 10mm, 13mm, 17mm & 19mm Wrenches

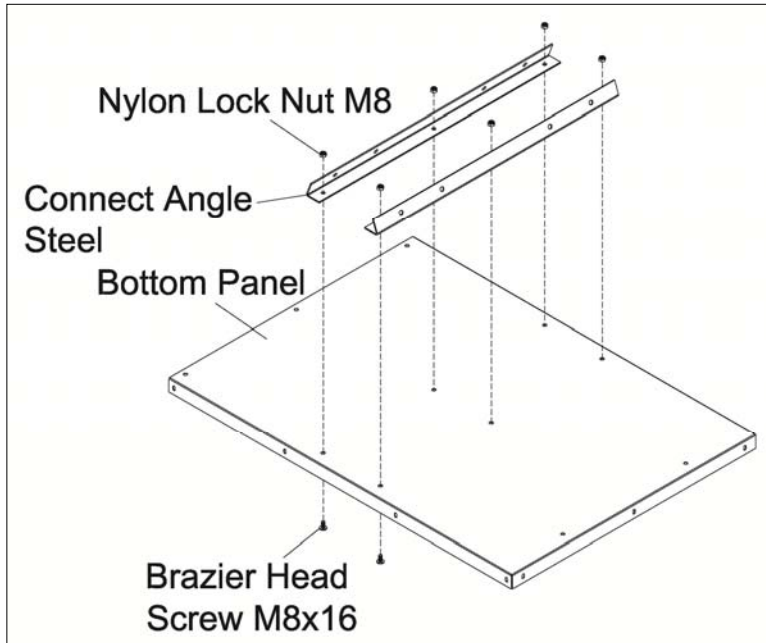
Component Parts



Assembly Instructions

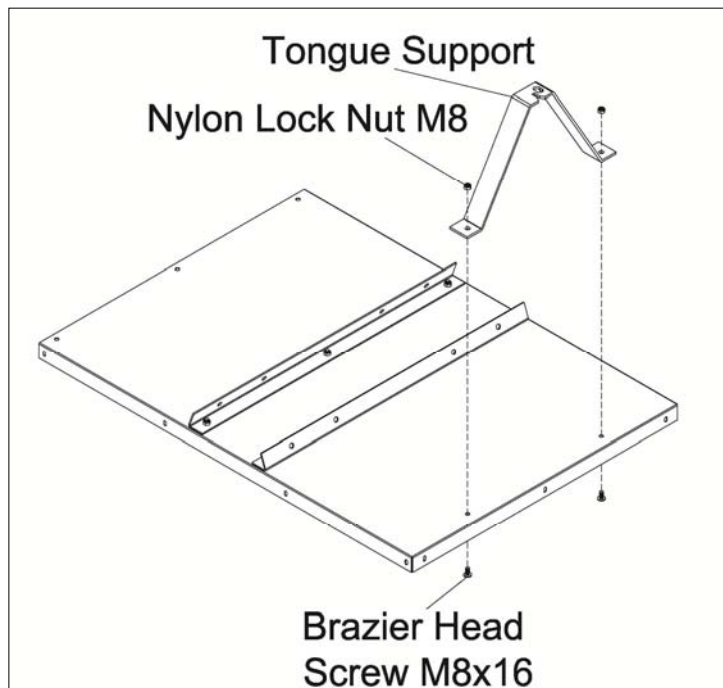
STEP 1: Attach the Connect Angle Steel

1. Attach the Connect Angle Steel to the Bottom Panel using Brazier Head Screw M8x16 and Nylon Lock Nut M8.



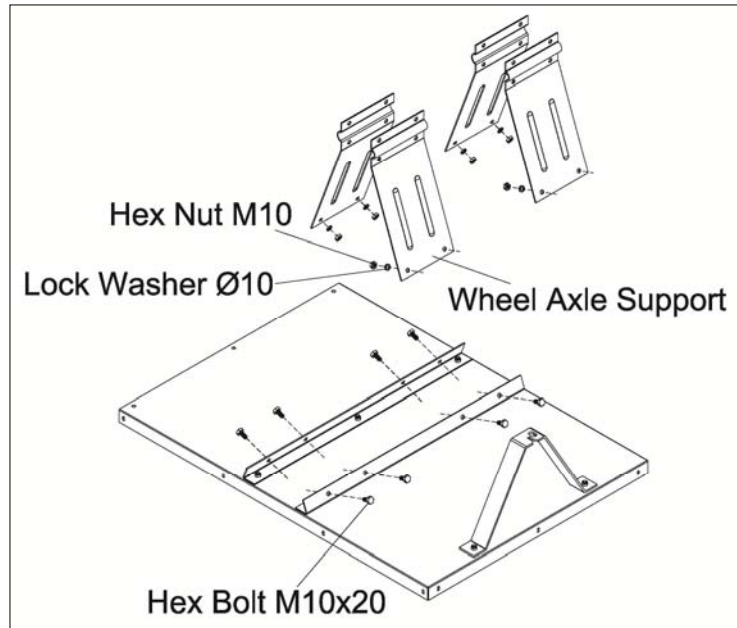
STEP 2: Attach Tongue Support

1. Attach the Tongue Support to the Bottom Panel using Brazier Head Screw M8x16 and Nylon Lock Nut M8.



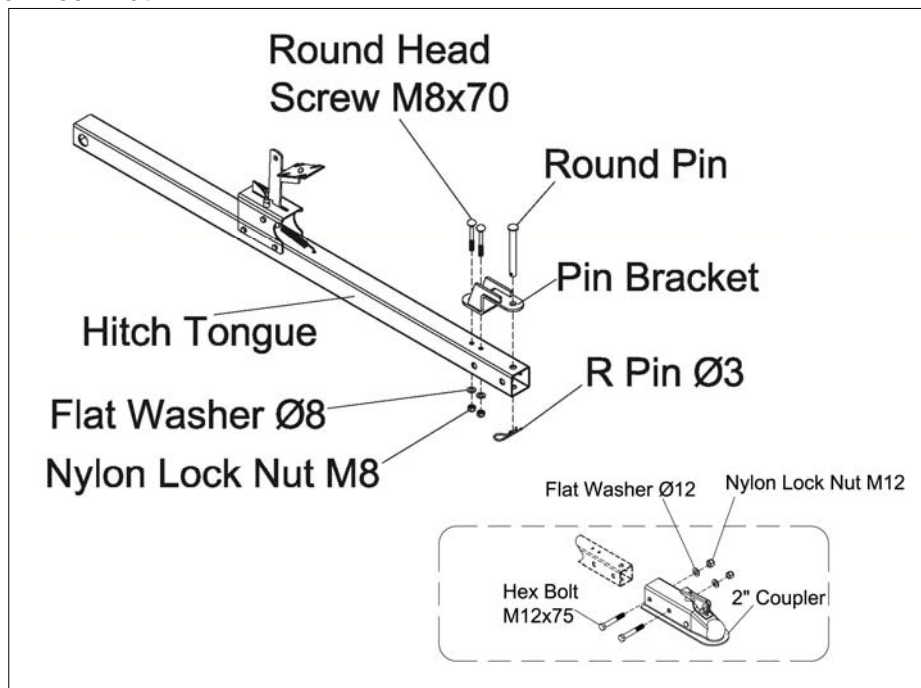
STEP 3: Attach the Wheel Axle Support

1. Attach Wheel Axle Supports to the bottom panel using Hex Bolt M10x20, Lock Washer Ø10 and Hex Nut M10.



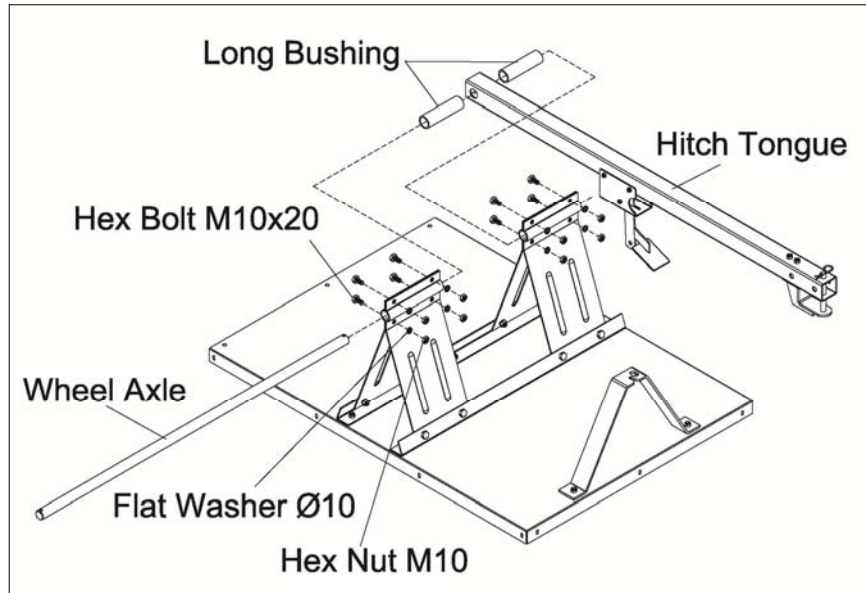
STEP 4: Attach Pin Bracket

1. Attach the Pin Bracket to the Hitch Tongue using Round Head Screw M8x70, Flat Washer Ø8 and Nylon Lock Nut M8, then Insert the Round Pin to the hole of Pin Bracket and Hitch Tongue, secure with R Pin Ø3.
2. Attach the 2" Coupler to the Hitch Tongue using Hex Bolt M12x75, Flat Washer Ø12 and Nylon Lock Nut M12.



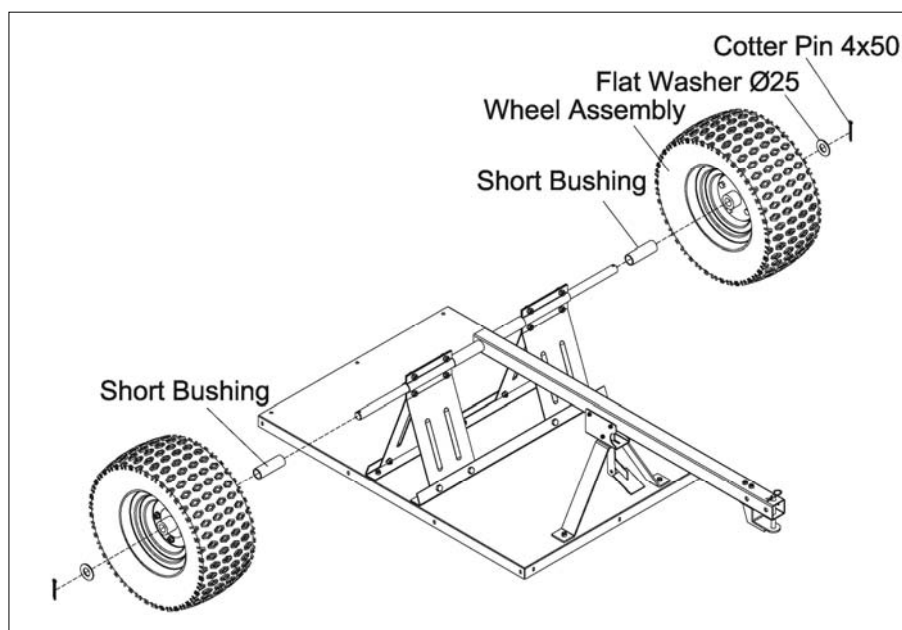
STEP 5: Attach Wheel Axle

1. Center the Hitch Tongue Assembly in the Wheel Axle Support.
2. The rest of the hole on Wheel Axle Support using Hex Bolt M10x20, Flat Washer Ø10 and Hex Nut M10. Loosely them
3. Insert the Wheel Axle through the hole and slide it through both the Wheel Axle Support , Long Bushing and Hitch Tongue Assembly.



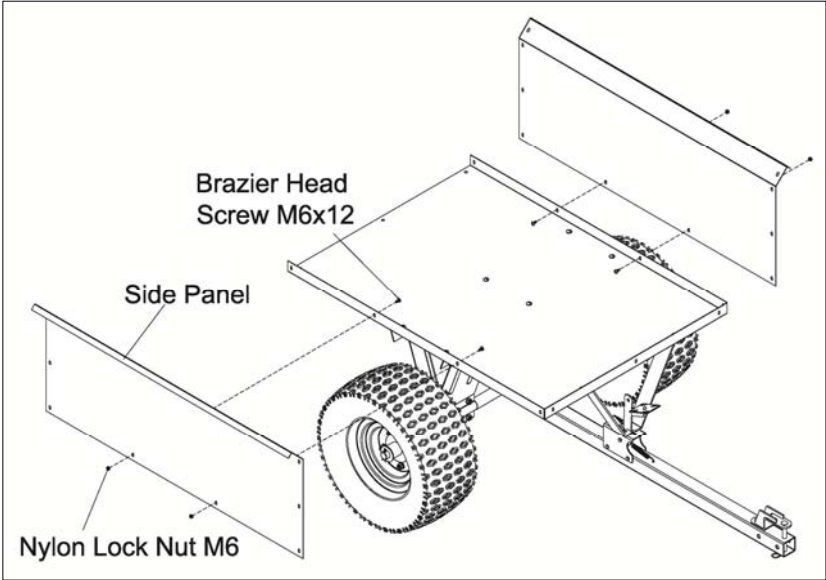
STEP 6: Attach the Wheels

1. Put a Short Bushing on the Axle; slide the Wheel over the end, followed by the flat washer Ø25 and secure with Cotter Pin 4x50.
2. Repeat the process for the other side of the axle.
3. Tighten all hardware in steps 5.



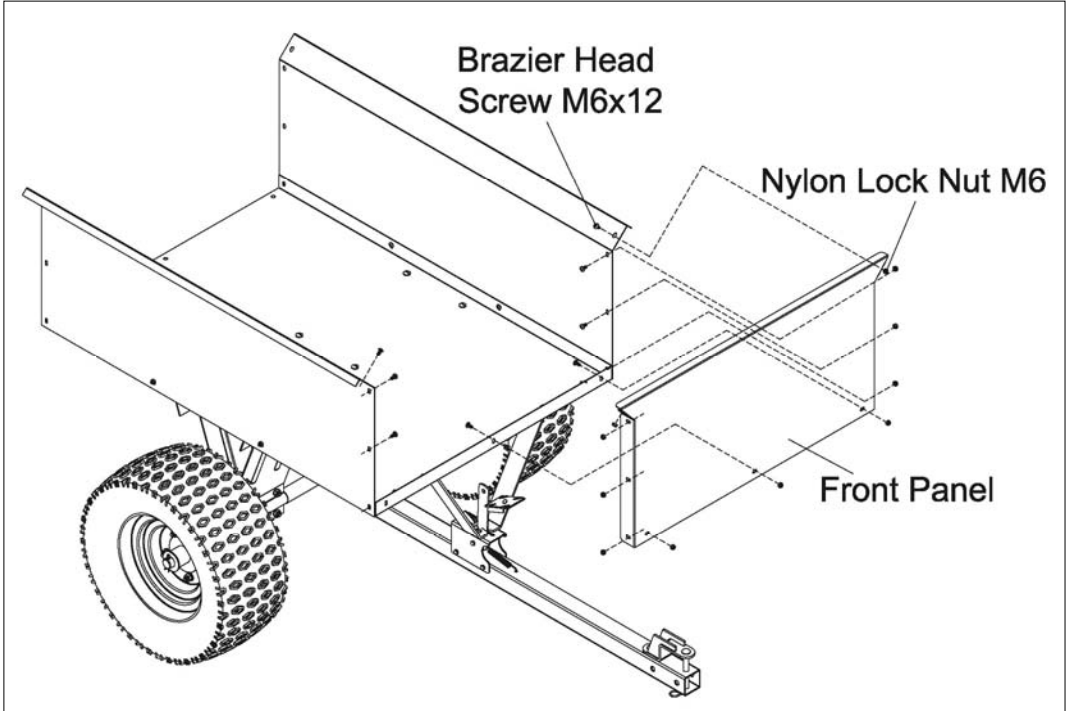
STEP 7: Attach Side Panel

1. Attach the Left and Right Side Panel Assemblies to the Bottom Panel using Brazier Head Screw M6x12 and Nylon Lock Nut M6.



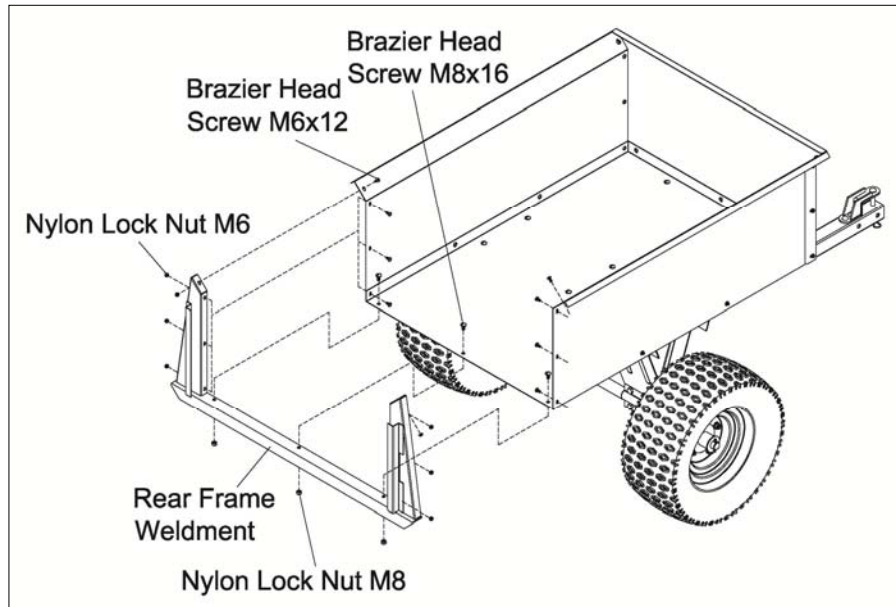
STEP 8: Attach the Front Panel

1. Attach the Front Panel Assembly to the Bottom Panel using Brazier Head Screw M6x12 and Nylon Lock Nut M6.



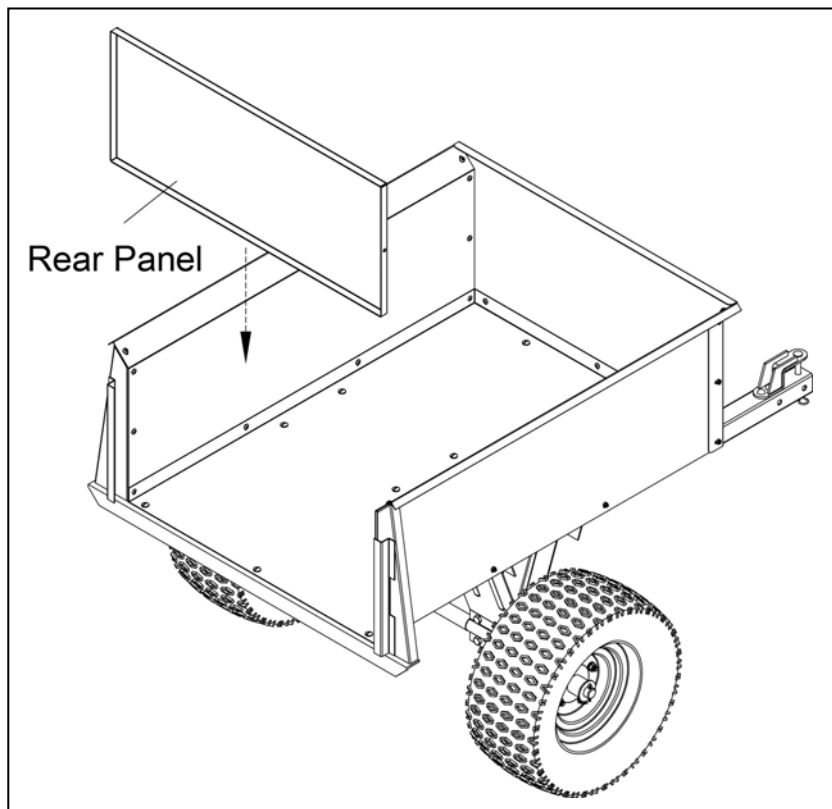
STEP 9: Attach Rear Frame Weldment

1. Connect the Rear Frame Weldment to the Bottom Panel using Brazier Head Screw M8x16 and Nylon Lock Nut M8.
2. Connect the Rear Frame Weldment to the Side Panel using Brazier Head Screw M6x12 and Nylon Lock Nut M6.



STEP 10: Attach the Rear Panel

1. Slide the Rear Panel through the slots on the Rear Panel.



Operation Instructions

WARNING

Before using the trailer, review the instructions below and safety information before operating. Failure to follow these instructions may result in property damage or injury to the operator or bystanders.

USING YOUR TRAILER

1. DO NOT exceed rated capacity of 1500lb (680kg).
2. NEVER tow the trailer with box raised.
3. ALWAYS secure and lock the trailer to the vehicle hitch before operating.
4. DO NOT over fill the trailer. Over flow loads can cause the trailer and towing vehicle to lose traction and skid out of control.
5. ONLY fill the trailer to a comfortable dumping load. Extremely heavy loads will be difficult to operate and dump.
6. ALWAYS use the trailer for its intended purpose.
7. ONLY use approved vehicles when towing the trailer (Lawn/Garden Tractors and ATVs).
8. ALWAYS make sure that the tow vehicle and the combined weight of the operator MUST BE greater than the load of the cart weight for proper control.
9. DO NOT use cart on public highways or roads.
10. NEVER exceed 30mph when towing the trailer.
11. DO NOT make sharp turns that may cause the Lawn/Garden Tractor or ATV tires to rub against the utility dump cart.
12. ALWAYS slow down before turning.
13. ALWAYS use caution when backing the trailer. To avoid the cart from “jack-knifing” always back up in a straight line.

Maintenance and Storage



Improper maintenance and storage of the trailer may void your warranty.

MAINTENANCE

- After each use clean material out of the trailer box.
- Rinse/dry inside and outside of the trailer after each use.
- Before operating make sure the tires have the RECOMMENDED TIRE PRESSURE 30 PSI.
- Regularly grease axle and wheel bearing area or when needed.
- Periodically check all fasteners for tightness.
- Annually clean and lightly lubricate parts.
- Use a glossy enamel spray paint to touch up scratched or worn painted metal surfaces.
- Never exceed load capacity rating of 1500lbs it will damage the trailer.

IMPORTANT:

If a part needs replacement, only use parts that meet the manufacturer's specifications. Replacement parts that do not meet specifications may result in a safety hazard or poor operations.

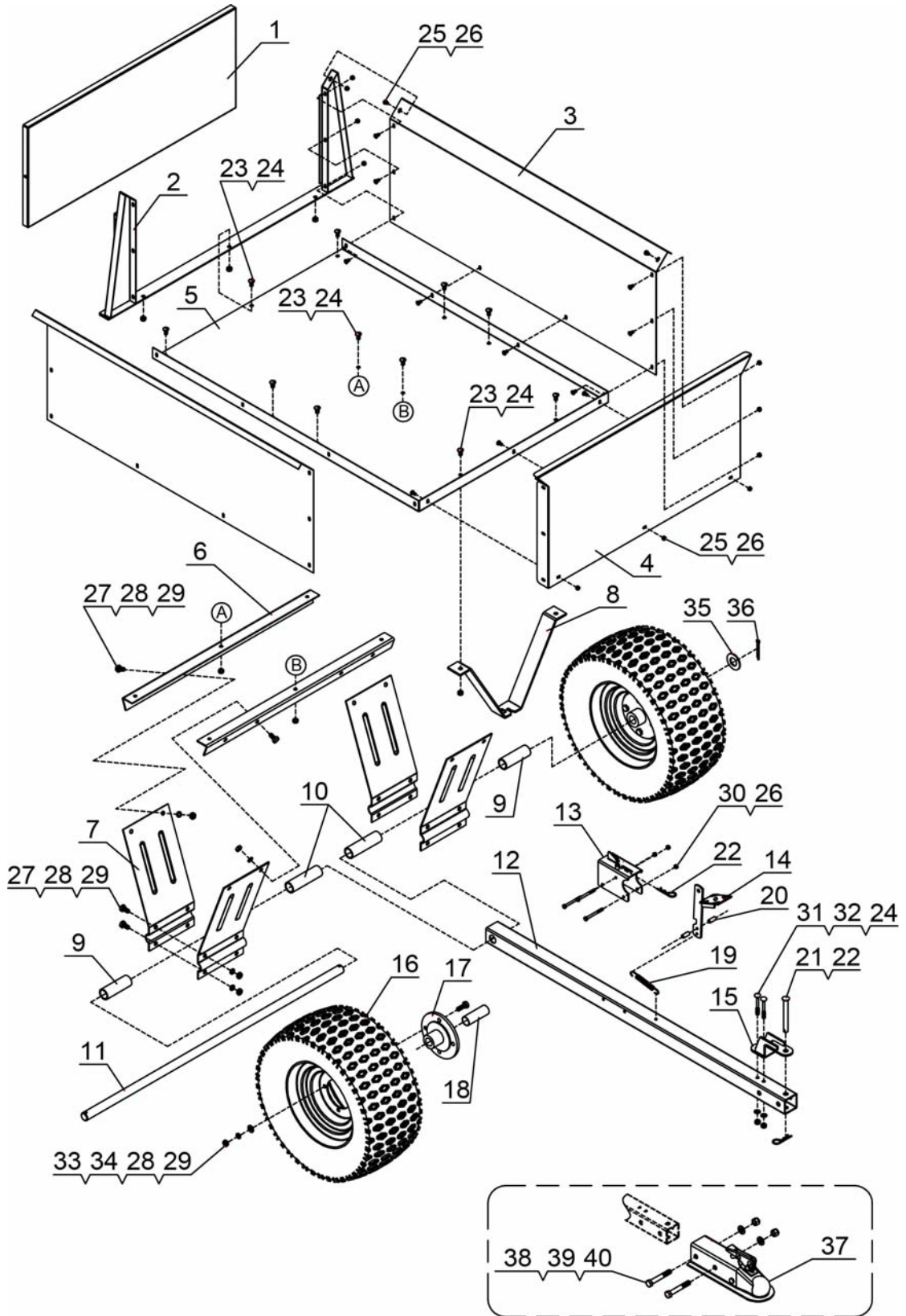
STORAGE

- Never allow material to remain in the trailer for extended periods of time.
- Before storing make sure the trailer is clean and dry for years of trouble free service.
- Store indoors or protected area during severe weather and winter months.
- When storing outside always keep the tongue lower to the ground so the trailer is not level to allow moisture to easily run off and not stand.

Specifications

Load Capacity.....	1500lb (680kg)
Box and Frame Material.....	Steel
Inside Box Dimensions.....	42" x 30"x16"
Overall Dimensions.....	67.95" x 44.68"x38.46"
Wheel Size.....	18" x 9"
Wheel Type.....	Pneumatic
Tire Pressure (PSI).....	30
Unit Weight.....	164.3lb

Parts Drawing & Parts List



Parts Drawing & Parts List

PART NO.	DESCRIPTION	QTY	PART NO.	DESCRIPTION	QTY
1	Rear Panel	1	21	Round Pin	1
2	Rear Frame Weldment	1	22	R Pin Ø3	2
3	Side Panel	2	23	Brazier Head Screw M8x16	11
4	Front Panel	1	24	Nylon Lock Nut M8	13
5	Bottom Panel	1	25	Brazier Head Screw M6x12	23
6	Connect Angle Steel	2	26	Nylon Lock Nut M6	26
7	Wheel Axle Support	4	27	Hex Bolt M10x20	16
8	Tongue Support	1	28	Lock Washer Ø10	24
9	Short Bushing	2	29	Hex Nut M10	24
10	Long Bushing	2	30	Hex Bolt M6x65	3
11	Wheel Axle	1	31	Round Head Bolt M8x70	2
12	Hitch Tongue	1	32	Flat Washer Ø8	2
13	Foot Pedal Base	1	33	Hex Bolt M10x30	8
14	Foot Pedal	1	34	Flat Washer Ø10	8
15	Pin Bracket	1	35	Flat Washer Ø25	2
16	Wheel	2	36	Cotter Pin 4x25	2
17	Flange	2	37	2" Coupler	1
18	Double Metal No Oil Bearing	2	38	Hex Bolt M12x75	2
19	Spring	1	39	Flat Washer Ø12	2
20	Spacer Bushing	2	40	Nylon Lock Nut M12	2

Limited Warranty

Warranty

For one year from the date of purchase YTL International will replace for the original purchaser, or repair the trailer. The warranty will not apply to any unit which was not assembled correctly, misused, overloaded or which has been used or operated contrary to our instructions, or which has been repaired or altered by anyone other than an authorized representative.

Warranty Exclusions

This warranty does not cover cosmetic defects such as paint, decals or wear items such as tires. This warranty will not cover failures or problems due to acts of God, or events or forces beyond the control of the manufacturer.

Normal Wear Exclusion

The trailer needs periodic service to perform well. This warranty does not cover repair when normal use has exhausted the life of a part or the equipment as a whole.

Installation, Use and Maintenance Exclusion

This warranty will not apply to parts and/or labor if the equipment has been misused, neglected, involved in an accident, abused, loaded beyond its limits, modified or assembled incorrectly. Normal maintenance is not covered under this warranty.

Limits of Implied Warranty and Consequential Damage Exclusion

YTL International disclaims any obligation to cover any loss of time, use of this product, freight, or any incidental or consequential claim by anyone from using this equipment. THIS WARRANTY IS IN LIEU OF ALL OTHER WARRANTIES, EXPRESS OR IMPLIED, INCLUDING WARRANTIES OF MERCHANTABILITY OR FITNESS FOR A PARTICULAR.

An exchange unit will be subject to the original warranty. The length of the warranty governing the exchanged unit will have the date as the purchase date of the original unit. This warranty gives you certain legal rights which may change from state to state. Your state may also have other rights you may be entitled to that are not listed within this warranty.

Contact Information

YTL International
17517 Fabrica Way Suite H
Cerritos, CA 90703
Phone: (888) 723-6534
Phone: (562) 404-8016
Fax: (562) 404-8013
Email: parts@ytlinternational.com