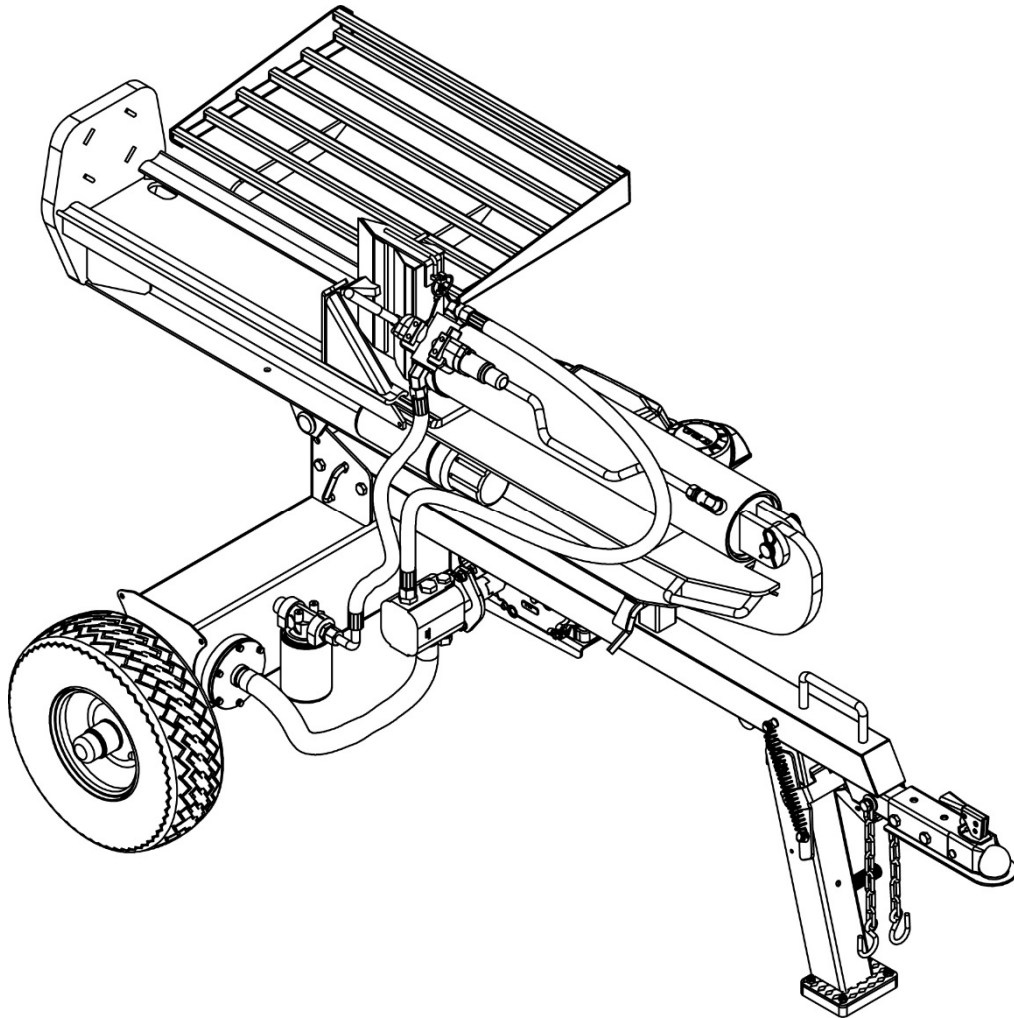


LUMBERJACK

37 TON LOG SPLITTER



Owner's Manual

ASSEMBLY AND OPERATING INSTRUCTIONS



This safety alert symbol identifies important safety messages in this manual. Failure to understand and follow safety, assembly and operating instructions could result in serious injury or death.

Table of Contents

Important Safety Information.....	3-6
Intended Use.....	3
Personal Protective Equipment.....	3
Safety Decals.....	3-4
General Safety.....	5
Work Area.....	5
Preparing Logs for the Splitter.....	5
Operation of the Log Splitter.....	5
General Repair.....	5
Maintenance Safety.....	6
Fire Prevention.....	6
Towing Safety.....	6
Assembly Instructions.....	7-13
Controls and Features Identification.....	14
Operating Instructions.....	15-17
Engine Oil Recommendations.....	15
Starting Instructions.....	15
Operation.....	15-16
Towing.....	16
Maintenance.....	16
Splitter Positions.....	17
Troubleshooting.....	18
Specifications.....	19
Drawing and Parts List.....	20-23
Limited Warranty.....	24



IMPORTANT SAFETY INFORMATION



WARNING: Read and understand all instructions and safety information in this manual and on safety decals before assembling or operating the log splitter. Failure to understand and follow all instructions and safety information may result in serious injury or death. Persons who have not read the manual should never operate the log splitter. A log splitter can be dangerous when assembled and/or used improperly. Do not operate the log splitter if you have any questions concerning safe operation. Please call the technical support department at 1-888-723-6534 for answers to any questions.



WARNING: This product can expose you to chemicals including lead and lead compounds which are known to the State of California to cause cancer and birth defects or other reproductive harm. For more information, go to www.P65Warnings.ca.gov



This is the safety alert symbol. It is used to alert you to potential personal injury hazards. Obey all safety messages that follow this symbol to avoid possible injury or death.

DANGER

DANGER indicates a hazardous situation which, if not avoided, will result in serious injury or death.

WARNING

WARNING indicates a hazardous situation which, if not avoided, could result in serious injury or death.

CAUTION

CAUTION indicates a hazardous situation which, if not avoided, could result in minor or moderate injury.

NOTICE

NOTICE is used to address practices not related to personal injury.

INTENDED USE

NEVER use the log splitter for any purposes other than splitting wood. The log splitter is designed **only** for splitting wood. Using the log splitter for any other purpose can result in serious injury or death and may void the warranty.

PERSONAL PROTECTIVE EQUIPMENT



BEFORE operating the log splitter always be sure to put on appropriate safety gear, including eye protection (goggles), steel-toed shoes and tight-fitting gloves (without loose cuffs or draw strings). Also, the use of proper hearing protection (headphones) is required when operating the log splitter.

SAFETY DECALS

ALWAYS check all safety warning decals are in good condition and readable. Immediately replace any missing or damaged decals. Please call 1-888-723-6534 to obtain replacement decals.

⚠ WARNING

To minimize risk to you or others of serious injury or death while towing:

- Read and understand the owner's manual on properly attaching the coupler to the hitch ball and how to safely tow.
- Ensure the correct ball size is being used.
- Do not exceed hitch ball or coupler load limits.
- Ensure safety chains are attached prior to towing.
- Do not exceed a maximum towing speed of 45 mph.
- Avoid turning sharply and steep angles.
- Ensure the tightness of the coupler each time before towing.
- Replace the hitch ball or coupler if damaged.
- This product can expose you to chemicals including lead and lead compounds which are known to the State of California to cause cancer and birth defects or other reproductive harm. For more information, go to www.P65Warnings.ca.gov



IMPORTANT SAFETY INFORMATION

OPERATOR SAFETY

WARNING



To minimize the risk of serious injury or death:

- Read and thoroughly understand owner's manual and engine manual before assembly, operation, towing and maintenance.
- Only one operator permitted. Only operate in the operator zone. Keep all bystanders and pets away.
- Do not step or reach over splitter during operation.
- Load logs by holding the log ends.
- Keep hands, body and clothing away from moving parts when splitting.
- Do not operate indoors.
- Do not check for high pressure oil leaks with your hands. Use cardboard to check for oil leaks.
- Wear safety glasses, shoes and hearing protection.
- Do not operate when tired or under the influence of alcohol or drugs.

OPERATING INSTRUCTIONS

1. Place splitter on dry, level surface. Remove debris from the work area.
2. Start engine. Advance throttle to max.
3. Place a log onto beam against the foot plate.
4. Split wood in direction of grain.
5. Move control handle to EXTEND or RETRACT as necessary.

Control Valve

Retract



Extend

For Operation and Service Questions Call
1-888-723-6534

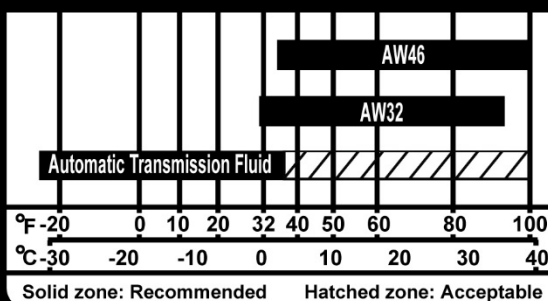
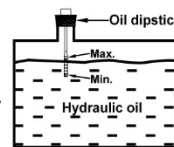
DANGER



PINCH POINT
Keep Hands Clear

NOTICE

Do not thread in the dipstick when checking the hydraulic oil level. The oil level needs to be kept on the line below the "MAX" indicated on the dipstick. Never fill the tank above the "MAX" line. Recommended oil viscosity is based on the outside operating temperatures in the table below.



WARNING

Before towing, check that beam latch pin is completely locked.



IMPORTANT SAFETY INFORMATION

GENERAL SAFETY

- **ALWAYS** keep the operator's manual in the canister for reference. Review the manual periodically and as questions arise.
- **ALWAYS** keep all bystanders and pets a minimum of 10 feet away from your work area when operating this log splitter. The operator alone should be near the log splitter during use.
- **NEVER** activate the control valve until all people are clear of the work area.
- **NEVER** wear loose clothing or jewelry when operating the log splitter. Keep clothing and hair away from all moving parts when operating the log splitter.
- **NEVER** allow adults without proper instruction and operational knowledge to use the log splitter.
- **NEVER** operate the log splitter when under the influence of drugs, alcohol or medication or when otherwise not alert enough to operate the log splitter.
- **DO NOT** allow children to play on, stand upon, climb on or operate the log splitter at any time.

WORK AREA

- **NEVER** operate the log splitter on wet, icy, slippery or unstable ground.
- **NEVER** operate the log splitter in an enclosed area. Exhaust fumes contain carbon monoxide which is deadly poison.
- **ONLY** operate the log splitter with adequate lighting.
- **ONLY** operate the log splitter on level ground. Operating on a slope may cause the log splitter to move and/or logs to fall off the log splitter.
- **ALWAYS** keep the work area free of debris. Remove any split wood around the log splitter immediately to avoid tripping.

PREPARING LOGS FOR THE SPLITTER

Log ends should be cut as squarely as possible before placing logs on the log splitter. The square shape of the log helps prevent the logs from moving during splitter operation. The maximum log length is 26 inches.

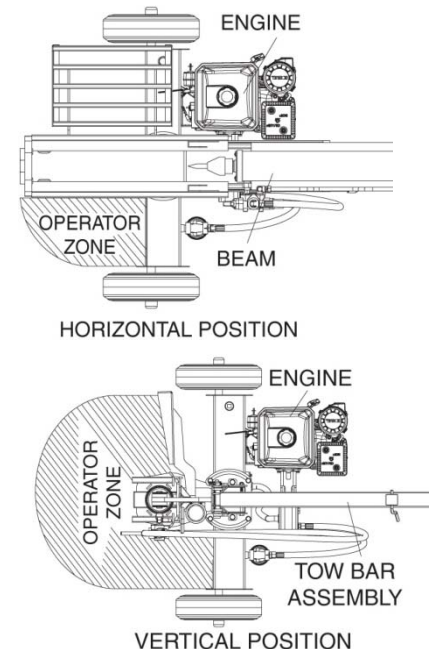
OPERATION OF THE LOG SPLITTER

ONLY operate the log splitter from the operator zone as shown in the diagram. Operating the log splitter outside the operator zone can result in serious injury or death.

- **ALWAYS** chock the wheels to prevent movement of the log splitter while in operation.
- **KNOW** how to stop the log splitter and disengage the controls before operating it.
- **NEVER** try to split a log against the grain.
- **NEVER** try to split two logs at the same time.
- **NEVER** step over the log splitter during operation.
- **NEVER** reach or bend over the log splitter to pick up a log.
- **NEVER** attempt to load the log splitter when the wedge is in motion.
- **NEVER** place hands or feet between the log and splitting wedge during forward or reverse stroke as this could result in serious injury or death.
- **NEVER** use your foot, a rope or any extension device to operate the control lever on the valve. Only use hands to operate control levers.
- **NEVER** touch the muffler and other hot areas of the engine. Allow time for the engine to cool down before touching.
- **NEVER** move the log splitter while the engine is running. Turn off the engine before leaving the log splitter.
- **NEVER** leave the log splitter running unattended, even for a short period of time.

GENERAL REPAIR

- **NEVER** operate the log splitter if it is in poor mechanical condition or in need of repairs.
- **NEVER** alter/modify the log splitter in any way. Any alterations/modifications may make the log splitter unsafe and voids the warranty.
- **NEVER** perform any service or repair on the log splitter without first removing the spark plug wire.
- **NEVER** tamper with the engine settings. The maximum engine speed is preset by the manufacturer and is within safety limits. Refer to the engine owner's manual for the particular log splitter.
- **ALWAYS** perform all recommended maintenance procedures before using the log splitter.
- **ALWAYS** check the level of hydraulic oil and engine oil before operating the log splitter.
- **NEVER** use hands to remove a stuck log while the log splitter is running.
- **ALWAYS** replace all damaged or worn parts immediately.
- **ALWAYS** check regularly that all nuts, bolts, screws, hydraulic fittings and hose clamps are tight.





IMPORTANT SAFETY INFORMATION

- **ALWAYS** be sure any and all replacement parts meet the manufacturer's specifications.

MAINTENANCE AND SAFETY

- The mechanical and hydraulic systems of the log splitter require careful inspection. Be sure to replace damaged hydraulic hoses and components.
- **NEVER** check for leaks of hydraulic fluid by using your hands. Leaking hydraulic fluid under pressure can potentially penetrate the skin causing **SERIOUS INJURY** or even **DEATH**. Leaks can be safely detected by holding a piece of cardboard over the suspected leak and looking for discoloration.
- **NEVER** remove the cap from the hydraulic tank while the log splitter is running. The tank contains hot oil under pressure which could cause serious injury if released from the tank.
- **NEVER** adjust the relief valve setting. The pressure relief valve on the log splitter is preset at the factory. Only a qualified service technician should perform any adjustments.
- **ALWAYS** immediately seek medical attention if injured by escaping hydraulic fluid. Serious infections or reactions can develop if proper medical treatment is not administered immediately.
- **ALWAYS** check the system is not under any pressure by shutting off the engine and moving the valve control handle back and forth. Check for pressure before loosening or removing any hydraulic fitting.
- **ALWAYS** keep the beam and wedge free of debris buildup.

FIRE PREVENTION

- **ONLY** refuel the log splitter in clear areas with no gas fumes and no spilled gas.
- **NEVER** operate the log splitter near flames, sparks or smoke. Hydraulic oil and gasoline are flammable and potentially explosive.
- **NEVER** add fuel while the engine is hot or running. Allow the engine to cool completely before refueling.
- If gasoline spills, move the log splitter away from the area of the spill and avoid creating any source of ignition.
- **ALWAYS** securely replace the gas cap.
- **ALWAYS** clean wood debris from the muffler area of the engine.
- **ALWAYS** store gasoline in an appropriate, tightly sealed container. Store the gas container in a cool, dry place and away from any heat sources.

IMPORTANT NOTE RE: SPEAK ARRESTER-REGULATION:

As a precautionary measure against possible flying sparks, always have a Class B fire extinguisher on hand when operating the log splitter in dry areas. The log splitter is equipped with an internal combustion engine that generates heat and potential flying sparks. Only use the log splitter on or near any unimproved, forest-covered, brush-covered or grass-covered land if the engine's exhaust system is equipped with a spark arrester in compliance with any applicable local or state laws. Spark arresters should be effectively maintained and serviced. In the state of California, a spark arrester is required by law and other states have similar laws. Federal laws will apply when operating the log splitter on federal land. Always research and comply with applicable state, local and federal laws and regulations. A spark arrester muffler is optional and available as an accessory at your nearest engine dealer.

TOWING SAFETY

- **NEVER** carry cargo or wood on the log splitter.
- **NEVER** allow anyone to sit or ride on the log splitter.
- **NEVER** move the log splitter over hilly or uneven terrain without a tow vehicle and/or adequate help.
- **NEVER** exceed weight capacity of ball or load limits of coupler.
- **NEVER** exceed speeds of 45 mph when towing the log splitter. Towing the log splitter at speeds higher than 45 mph could result in loss of control, damage to the equipment, and/or serious injury or death. Adjust towing speeds for the terrain and conditions. Utilize extra caution when towing over rough terrain. Avoid sharp turns and steep angles when towing the log splitter.
- **ALWAYS** attach chains when towing the log splitter.
- **ALWAYS** confirm coupler tightness every time before towing and after towing 50 miles.
- **ALWAYS** use caution when backing up with the log splitter in tow as it could jackknife.
- **ALWAYS** accommodate for the added length of the log splitter when turning, parking, crossing intersections and always when driving while towing the log splitter.
- **ALWAYS** disconnect the log splitter from the towing vehicle before operating.
- **ALWAYS** know and comply with all local and state regulations governing towing, licensing, and lights before towing the log splitter.
- **ALWAYS** check before towing that the log splitter is correctly and securely attached to the towing vehicle and that the chains are secured to the hitch or bumper of the vehicle with enough slack to allow for turning. Always use a Class I or above; 2" ball for connecting to the log splitter.
- **ALWAYS** replace damaged ball couplers.
- **ALWAYS** turn the fuel shut off valve on the engine to the "OFF" position before towing the log splitter. Failure to turn off the engine before towing may flood the engine and damage engine oil.

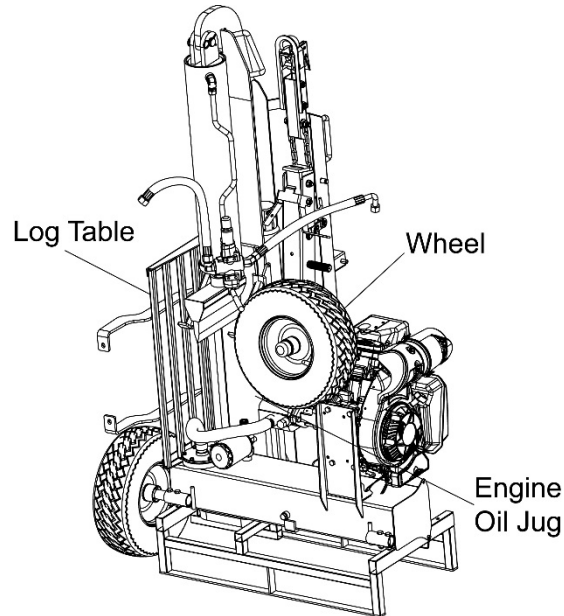
ASSEMBLY INSTRUCTIONS

TOOLS REQUIRED

- Screw Driver
- Hammer
- Band Cutter
- 17mm and 19mm Wrenches
- Large Adjustable Wrench.

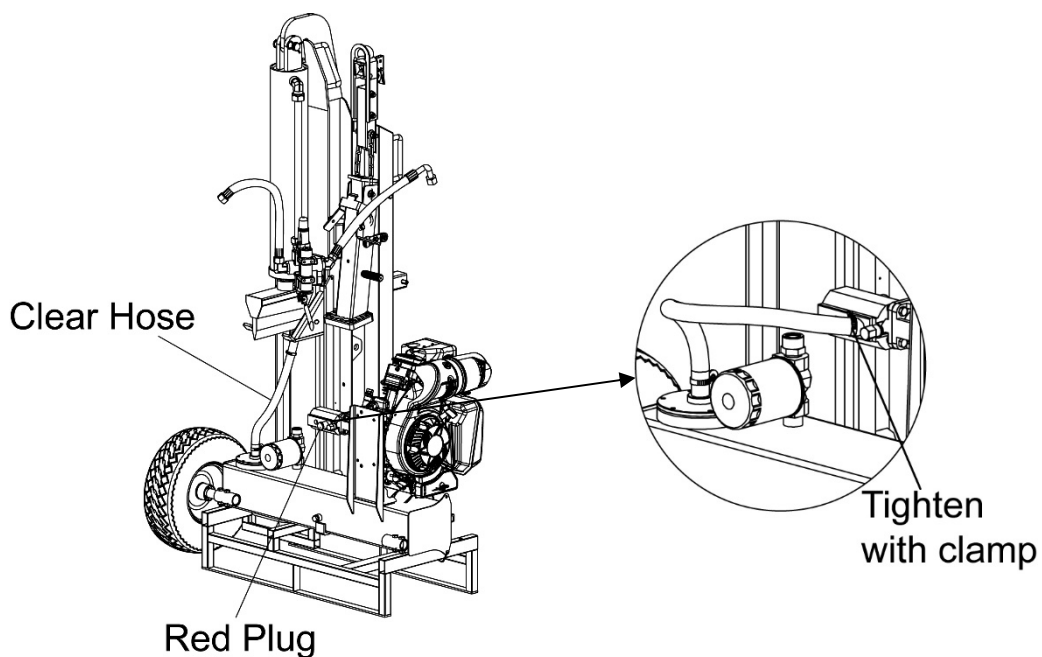
STEP 1: Unpack Unit

- 1.1 Remove the wrapping film.
- 1.2 Remove the log table, engine oil jug and wheel assembly and set aside.



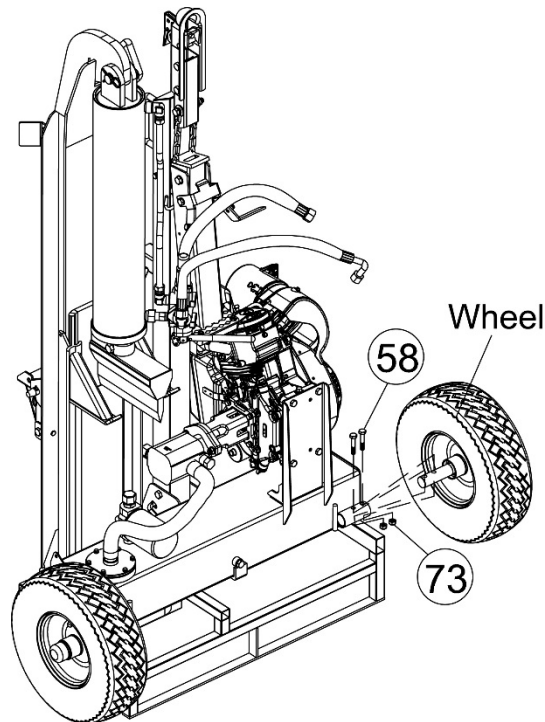
STEP 2: Connect Clear Hose

- 2.1 Remove the cable tie and protective bag on the clear hose and gear pump. Remove the red plug from the gear pump connector.
- 2.2 Connect the clear hose to the end of the gear pump connector by tightening with the clamp (the clamp comes attached to the clear hose).



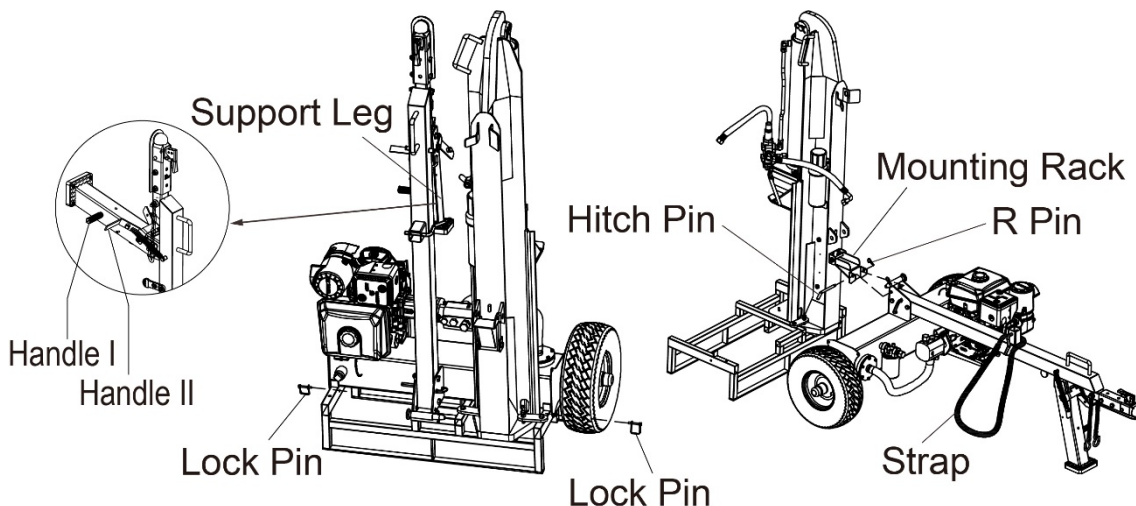
STEP 3: Attach the Wheel

- 3.1 Remove the nuts (73) and bolts (58) from the wheel axle.
- 3.2 Insert the wheel into the wheel axle of the hydraulic tank, secure with the previously removed nuts and bolts using two 17mm wrenches.



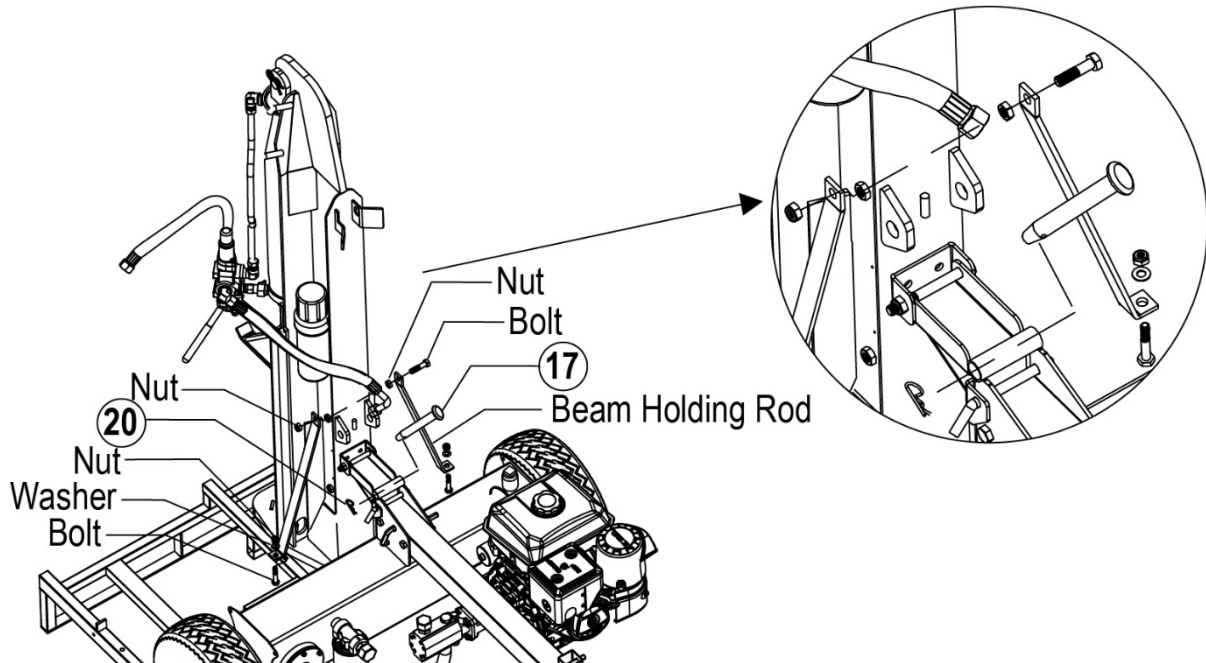
STEP 4: Attach Hydraulic Tank and Tow Bar Assembly

- 4.1 Remove the two lock pins attached to the tank assembly and steel stand.
- 4.2 Grasp the top of the tongue assembly, then rotate the tongue and tank assembly down until wheels sit on the floor.
- 4.3 Position the tank assembly in front of the beam.
- 4.4 Pull the support leg to down position by handle I, and lock the support leg by handle II.
- 4.5 Pull out the hitch pin and R-pin that come attached to the mounting rack. Attach the mounting rack and tank by reinserting the hitch pin.
- 4.6 Hang the red strap on the hitch tongue, allowing the assembler/operator to step on the strap.



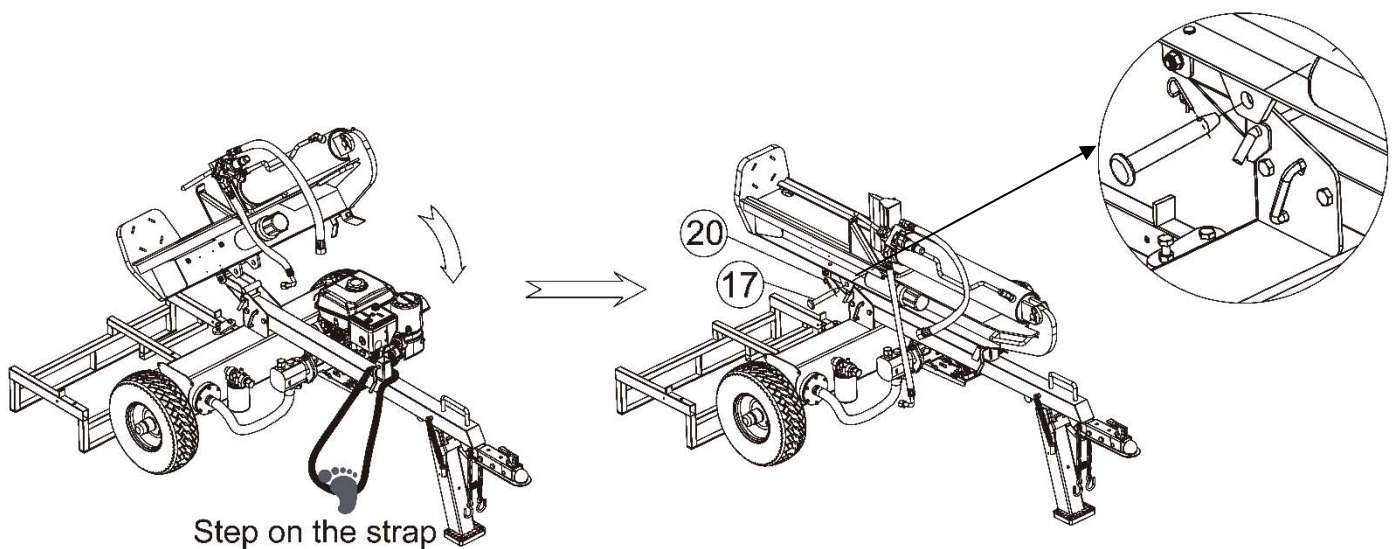
STEP 5: Remove the Holding Rods that Securing the Beam and Stand

- 5.1 Remove the bolts, washers, nuts and the beam holding rods using a 17mm wrench and a 19mm wrench.
- 5.2 Remove the hitch pin (17) and R-Clip-pin (20) from the tank.



STEP 6: Rotate and Secure Beam

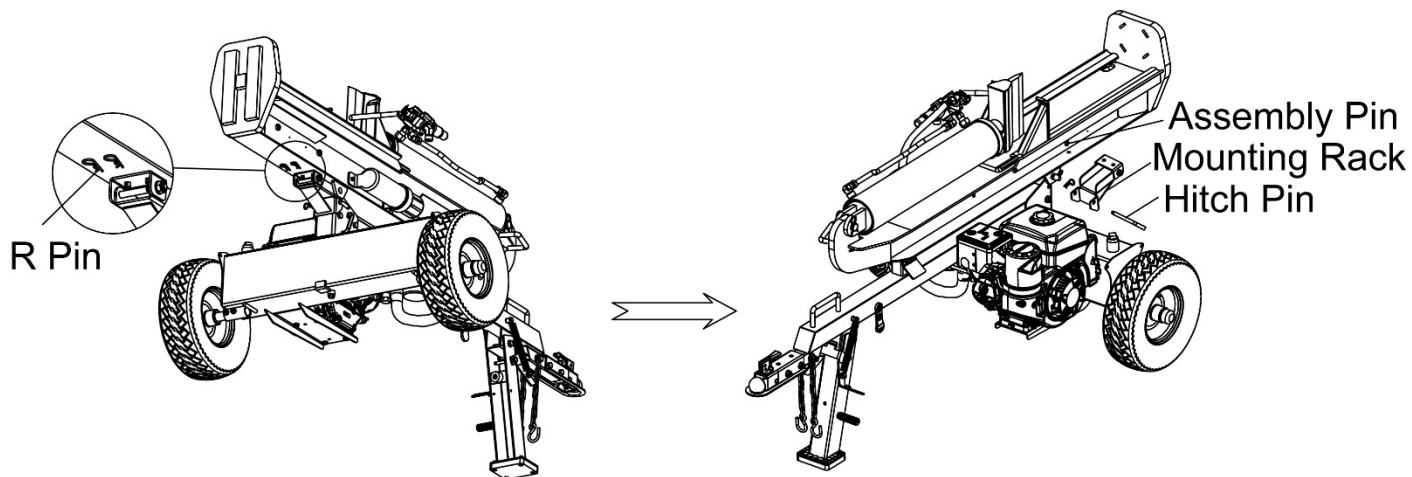
- 6.1 Lower the beam to the horizontal position. (NOTE: Step on the strap with one foot to avoid the tongue moving up when lowering the beam.)
- 6.2 Connect the beam and the hydraulic tank using the large hitch pin (17) and the R-Clip-pin (20).



CAUTION: Moving the beam from vertical to horizontal positions can cause the tongue to rise up. Step on the strap to hold down the tongue or have a second person assist and hold down the ball coupler.

STEP 7: Remove the Mounting Rack and Discard

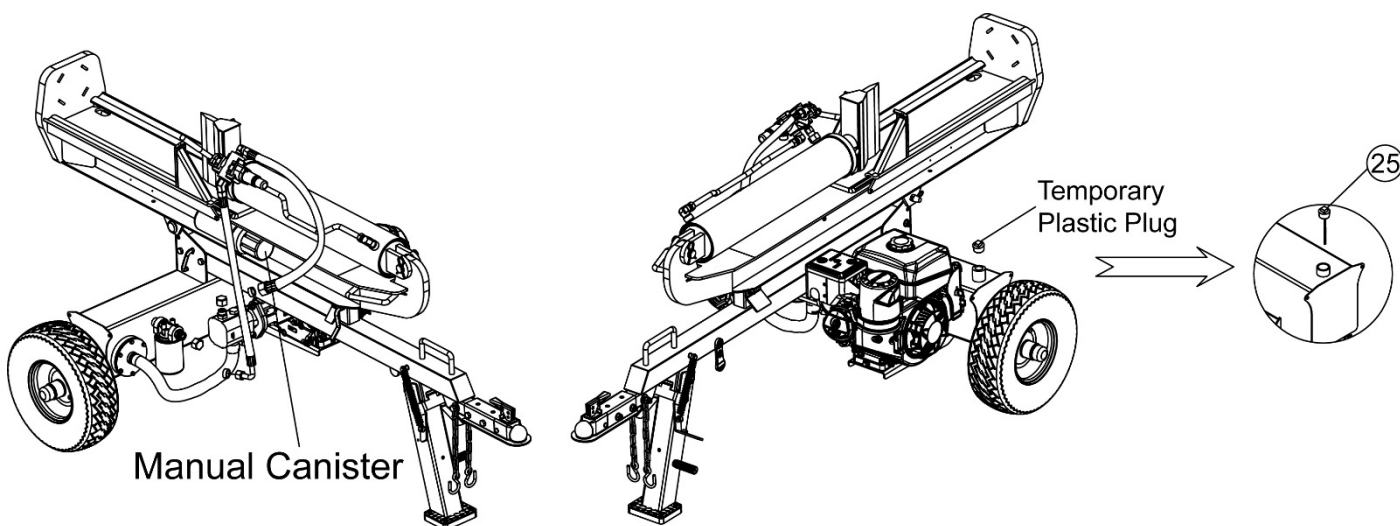
- 7.1 Remove the two R-Clip pins under the beam, then pull out the hitch pin and remove the mounting rack and assembly pins.
- 7.2 Discard the removed pins and the mounting rack.



STEP 8: Install Metal Plug/Dipstick

- 8.1 Retrieve the metal plug/dipstick (25) from the manual canister and use it to replace the temporary plastic one from the hydraulic tank. The temporary plastic plug may be discarded.

NOTE: Remove the temporary plastic plug slowly as there may be pressure in the tank.



STEP 9: Attach Hydraulic Hose

- 9.1 Remove the connector and the hose plugs. Both plugs may be discarded.
- 9.2 Attach the hydraulic hoses (6 and 15) to the filter assembly and the pump.

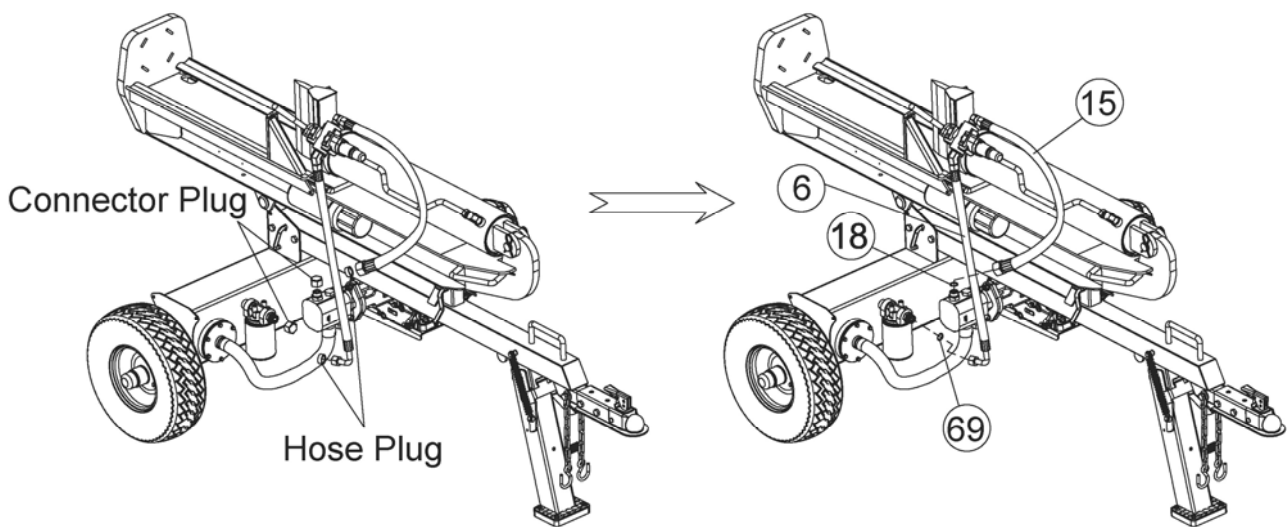
That hose with 90° degree fitting attaches to filter assembly.

The Ø14x2.5 O-Ring (18) and Ø17x2.5 O-Ring (69) are preassembled in the connector.

Keep O-Rings in place during assembly.

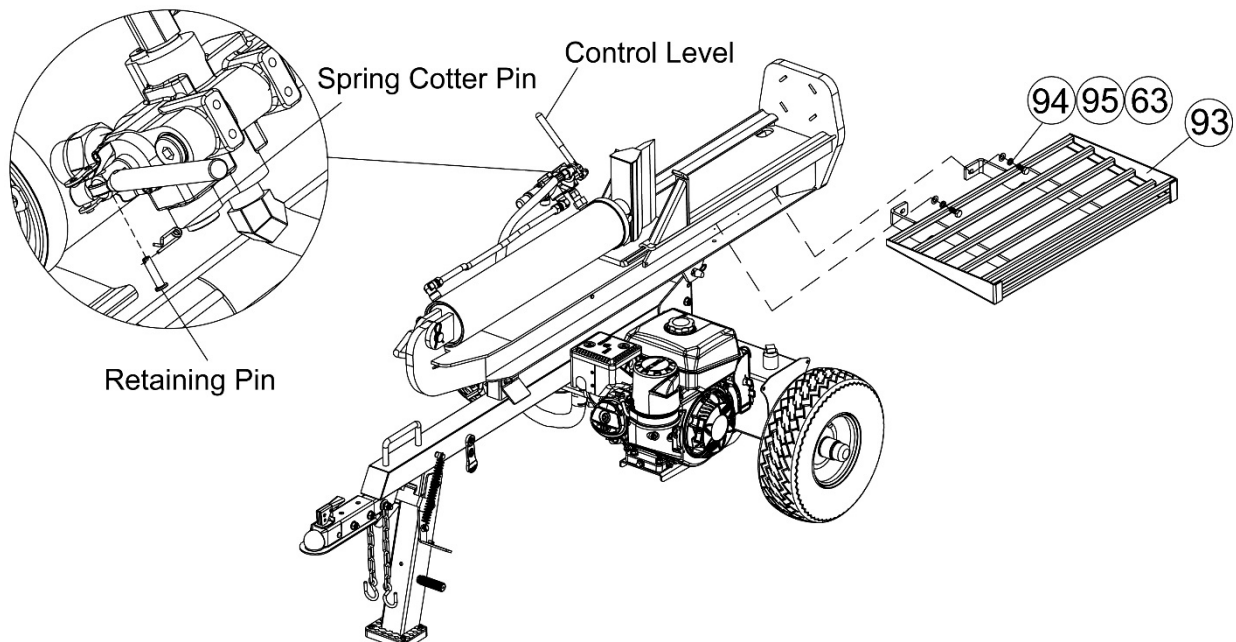
A small amount of oil may come out of the hoses when the caps are removed. To prevent oil dripping on the ground, use a small pail to catch any oil.

Each connection requires only one O-Ring. Both the hose and the fitting sides have O-Rings so remove one O-Ring before installing the hoses. Save the extra O-Ring for possible future use/repair.



STEP 10: Attach Control Lever and Log Table

- 10.1 Remove the spring cotter pin and the retaining pin from the control valve. Rotate the control lever to the vertical position and secure with the retaining pin and the spring cotter pin.
- 10.2 Attach the log table (93) to the beam with the M12x30 hex bolt (94), Ø12 lock washer (95) and Ø12 flat washer (63) using a 19mm wrench.



STEP 11: Add Engine Oil

- 11.1 Make sure the log splitter is on a level surface.
- 11.2 Remove the oil fill cap/dipstick to check the oil level.
- 11.3 Refer to the separate owner's engine manual to determine the necessary quantity of engine oil; add engine oil to the proper level and replace the oil fill cap/dipstick.
- 11.4 Check the engine oil level daily and add oil as necessary to maintain the proper level.

NOTICE: *During the break-in period check the engine oil level often.* When initially using the log splitter the operator should check the engine oil level frequently to ensure proper function.

DO NOT attempt to crank or start the engine before it has been properly filled with the recommended type and amount of engine oil. Damage to the log splitter resulting from a failure to follow these instructions will void the warranty.

STEP 12: Add Gasoline to the Engine

- 12.1 Use only clean, fresh, regular unleaded fuel with a minimum 87 octane rating.
- 12.2 DO NOT mix oil with fuel.
- 12.3 Remove the fuel cap and slowly add fuel to the tank. DO NOT overfill and allow for approximately a ¼ inch of space for fuel expansion.
- 12.4 Tightly screw on the fuel cap and clean/wipe away any spilled fuel.

DANGER

Log splitter engine exhaust contains carbon monoxide, a colorless, odorless, poison gas. Breathing carbon monoxide may cause nausea, dizziness, fainting or death. If you start to feel dizzy or weak, immediately cease operation and get to fresh air and seek medical attention.

Log splitters should be operated only outdoors and in well-ventilated areas.

DO NOT operate the log splitter inside any building, enclosure or compartment.

DO NOT allow exhaust fumes to enter a confined area through windows, doors, vents or other openings.

DANGER CARBON MONOXIDE, using a log splitter indoors **CAN KILL YOU IN MINUTES.**

CAUTION

Fuel and fuel vapors are highly flammable and extremely explosive.

Fire or explosion can cause severe burns or death.

Unintentional startup can result in entanglement, traumatic amputation or laceration.

Only use regular unleaded gasoline with a minimum 87 octane rating.

DO NOT mix oil and gasoline together.

Fill tank approximately ¼" below the top of the tank to allow for fuel expansion.

DO NOT fill fuel tank indoors or when the engine is running or hot.

DO NOT light cigarettes or smoke when filling the fuel tank.

STEP 13: Check Hydraulic Oil

- 13.1 The log splitter needs to be on a flat level surface before checking or adding the hydraulic oil.
- 13.2 The log splitter was prefilled with 5 gallons of AW32 hydraulic oil before shipping. AW46 and universal hydraulic oil are other acceptable types of hydraulic oil to use with the log splitter
- 13.3 Start the engine and use the control lever to extend and retract the wedge several times to remove air from the lines.
- 13.4 With the wedge retracted, check the hydraulic oil level again and fill if necessary.
- 13.5 To enhance engine start up, **automatic transmission fluid can be used when operating in temperatures below 32 degrees.**

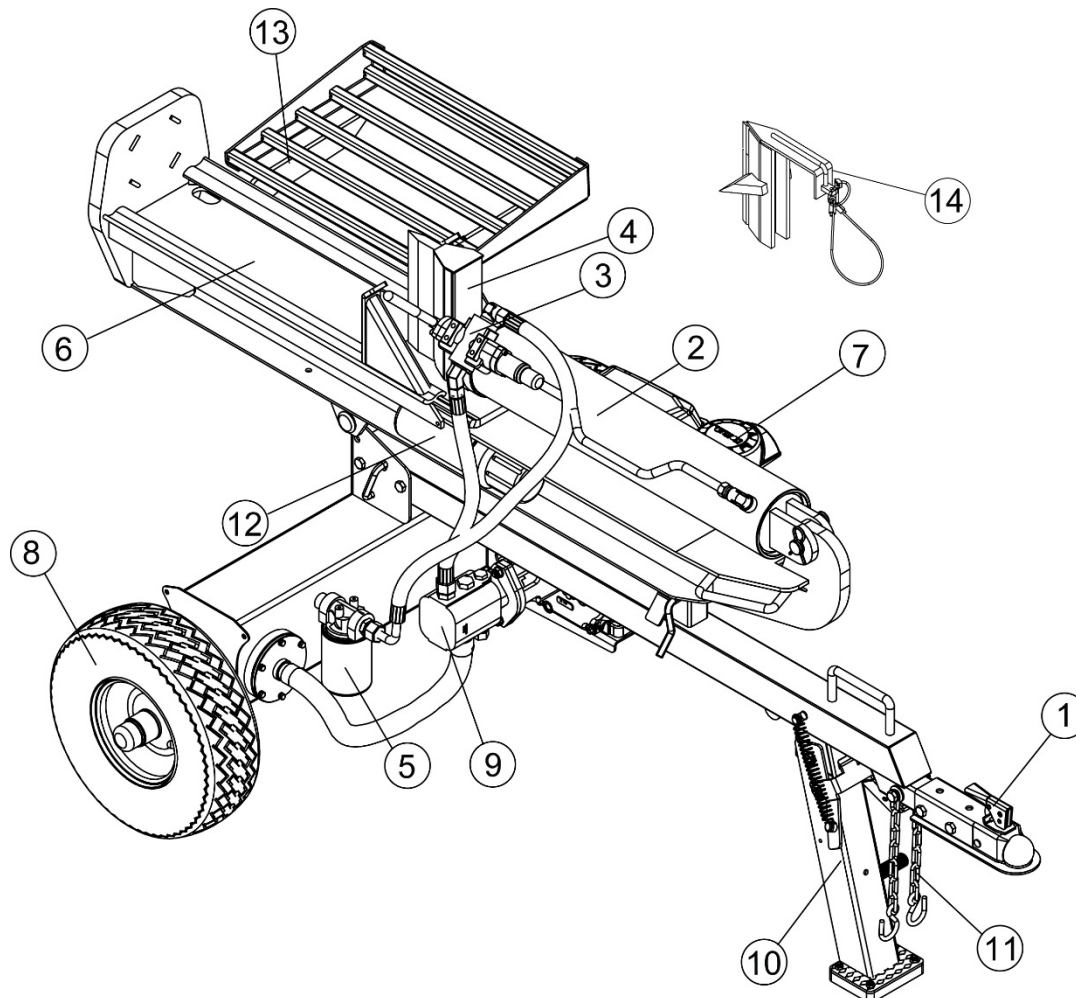


WARNING

DO NOT remove the hydraulic oil fill cap when the engine is running or hot. Hot oil can escape causing severe burns. Always allow the log splitter to cool completely before removing the hydraulic oil cap. High fluid pressure and temperatures are created inside hydraulic log splitters. Hydraulic fluid can escape through a pin-size hole and can puncture skin and cause severe blood poisoning. Inspect hydraulic systems regularly for possible leaks. **Never check for leaks with your hand while the system is pressurized. Seek medical attention immediately if injured by leaking fluid.** Make sure all fittings are tight and secure before applying pressure. Relieve system pressure before servicing. Make sure the hydraulic hoses do not touch any hot surfaces or cutting areas. Hoses need to be positioned away from the engine and cutting wedge. To avoid serious bodily injury always inspect the hoses before operating the log splitter.

CONTROLS AND FEATURES IDENTIFICATION

Below Diagram identifies major component described in this manual.



- 1) **2" Ball Coupler**
- 2) **Hydraulic Cylinder**
- 3) **Control Valve**
- 4) **10" Wedge**
- 5) **External Filter**
- 6) **Beam**
- 7) **Engine**
- 8) **Tire / Wheel Assembly**
- 9) **Gear Pump**
- 10) **Support Leg**
- 11) **Chains**
- 12) **Manual Canister**
- 13) **Log Table**
- 14) **4-way Wedge**

OPERATING INSTRUCTIONS



WARNING: Read and understand all instructions and safety information in this manual and on safety decals before assembling or operating the log splitter. Failure to understand instructions and safety information could result in serious injury or death. Do not allow anyone to operate the log splitter who has not read this manual. A log splitter can be dangerous if assembled or used improperly. Do not operate this log splitter if you have any questions concerning safe operation. Call our technical support department at 1-888-723-6534 for answers to any questions.



CAUTION: DO NOT START/ RUN THE ENGINE BEFORE CHECKING THE OIL IN THE HYDRAULIC TANK AND THE OIL IN THE ENGINE.

ENGINE OIL RECOMMENDATIONS

The engine comes with 10W-30 oil. Refer to the engine owner's manual for information regarding proper oil temperature ranges and grades to use. Engine oil capacity is 36.9 ounces.

After the hydraulic tank and the engine crankcase are filled with oil, start the engine. The hydraulic pump should prime itself. With the engine running, move the control valve lever toward the foot plate. This will cause the cylinder to extend and expel air. When the cylinder is fully extended, retract it. Repeat this procedure several times. After this procedure check oil level again. If the tank is over filled it tends to expel oil from the breather cap when the cylinder is retracted. Cycle the cylinder again until it maintains a constant speed which indicates all the air has been expelled from the cylinder.

STARTING INSTRUCTIONS

Refer to the FNA Owner's manual for complete information on starting, maintenance and specifications.

420cc FNA Engine

- a) Check that "ON"/"OFF" switch is in the "ON" position.
- b) Move the throttle lever to "FAST". Always operate the engine with throttle lever in the "FAST" position.
- c) Move choke control lever to "CHOKE" position.
- d) Grasp rope handle and pull slowly to the point of resistance. Once resistance is felt pull rapidly to start the engine and to avoid engine kickback.
- e) After allowing the engine to warm up, move the choke control lever slowly toward "RUN". In cold weather give the engine extra time to warm up before slowly moving the choke lever toward "RUN". Operate with the choke lever in the "RUN" position.
- f) To stop engine, move the "ON"/"OFF" switch to the "OFF" position.



CAUTION: TURN FUEL SHUT OFF VALVE TO THE "OFF" POSITION BEFORE TOWING. FAILURE TO DO SO MAY RESULT IN FLOODING THE ENGINE AND DESTROYING ENGINE OIL.

NOTE: The engine maximum governed speed is preset at the factory at 3600 RPM load speed. When splitting wood, the throttle should be set at the maximum speed in order to generate the horsepower required for the pump.

OPERATION



WARNING: Review safety information related to operation of the log splitter on page 5 and 6 of this manual. Make sure that you have the recommended personal protective equipment described on page 3.

- 1) Set up the log splitter in a clear, level area and chock the wheels.
- 2) For horizontal operation, place a log on the beam against the foot plate. Make sure the log is securely on the foot plate and up against the beam. To split wood in the vertical position, release the pin on the beam latch located near the front end of the beam. Tilt the beam up until the foot plate is sitting squarely on the ground and the log splitter is stable. Place the log on the foot plate up against the beam. When the beam is returned to the horizontal position make sure the beam latch pin is secure.

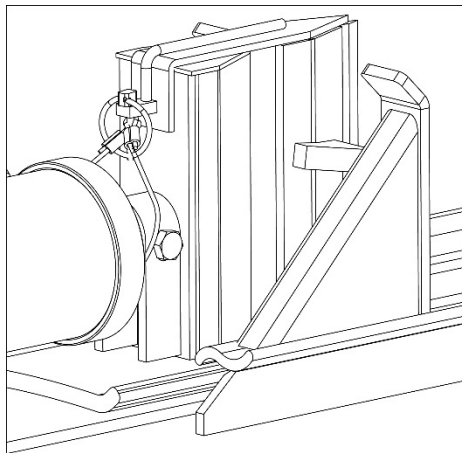
OPERATING INSTRUCTIONS

3) Move control valve handle so that the cylinder will drive the wedge into the log. Extend the cylinder until the log splits or until it reaches the end of its stroke. If the log has not completely split after the cylinder has reached the end of its extension, retract the cylinder.

IMPORTANT: Leaving the valve in the “actuate” position at the end of the stroke can accelerate wear on the hydraulic component. Do not split logs with unsquared ends.

NOTE: For operation in wooded areas, obtain a spark arrestor for the exhaust system. Consult the engine operating and maintenance manual and check with your authorized FNA service center. Also see Fire Prevention on page 6 of this manual.

4-way wedge: Optional use, will not work with all wood.
ATTENTION: Cross wedge for HORIZONTAL SPLITTING use only.



TOWING

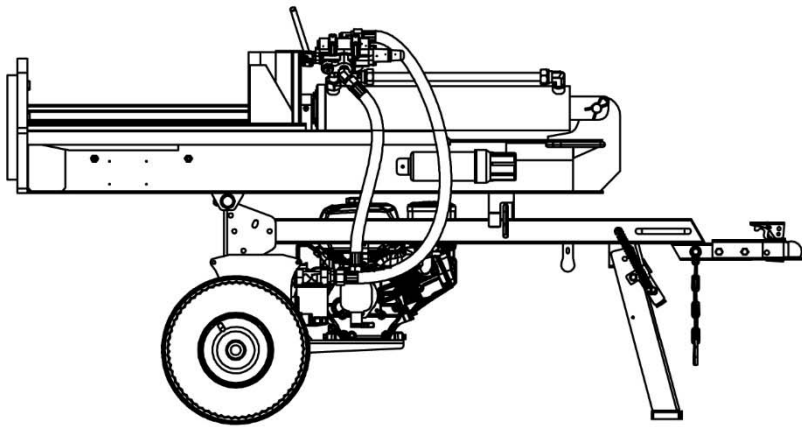
The log splitter is equipped with pneumatic tires, a Class I or above coupler (2 in. diameter ball required) and chains. Before towing, the chains must be secured to the hitch or bumper of the vehicle. Local regulations should be checked regarding licensing, lights, towing, etc. Before towing, turn the fuel shut off valve on the engine to the “OFF” position. Failure to turn off the engine before towing may flood the engine. Do not exceed 45 mph when towing the log splitter. Also see Towing Safety on page 6 of this manual.

MAINTENANCE

- 1) Consult the operating and maintenance instructions of the engine’s manufacturer for engine care and maintenance.
- 2) Always check the oil level of the hydraulic tank before operation. Operating the log splitter without an adequate oil supply will cause severe damage to the pump.
- 3) Change the oil filter after the first 25 hours of operation. After the initial 25 hours, the oil filter should be changed seasonally or every 100 hours.
- 4) To drain the hydraulic oil, remove the drain plug from the bottom of the tank. The drain plug is located just to the right of the oil filter.
- 5) If the wedge needs to be sharpened, it can be removed and sharpened.
- 6) Clean the breather cap after every 25 hours of operation. When operating in dusty conditions the breather cap should be cleaned more frequently. To clean, first remove the breather cap from the tank, then flush with solvent and blow out the cap with air.
- 7) Also see General Repair and Maintenance Safety on page 5 and 6 of this manual.
- 8) All replacement parts must meet manufacturer’s specifications.

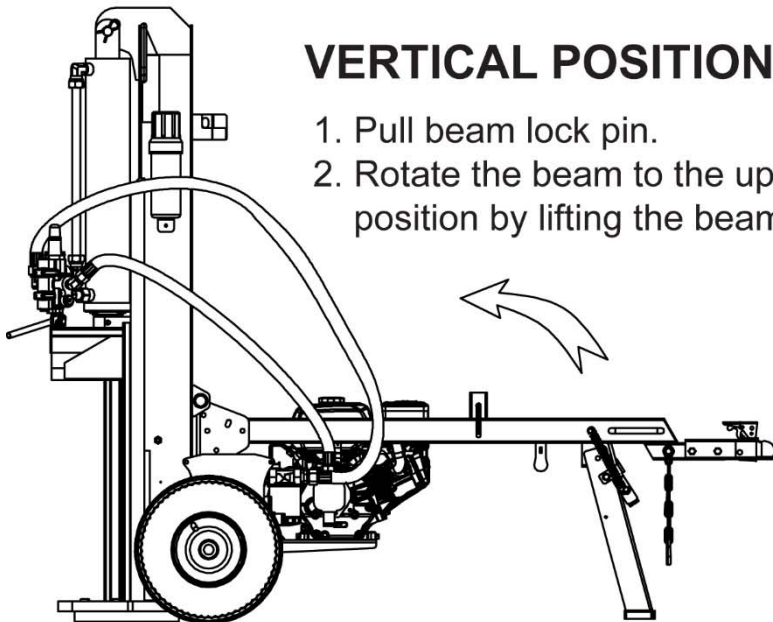
OPERATING INSTRUCTIONS

HORIZONTAL POSITION



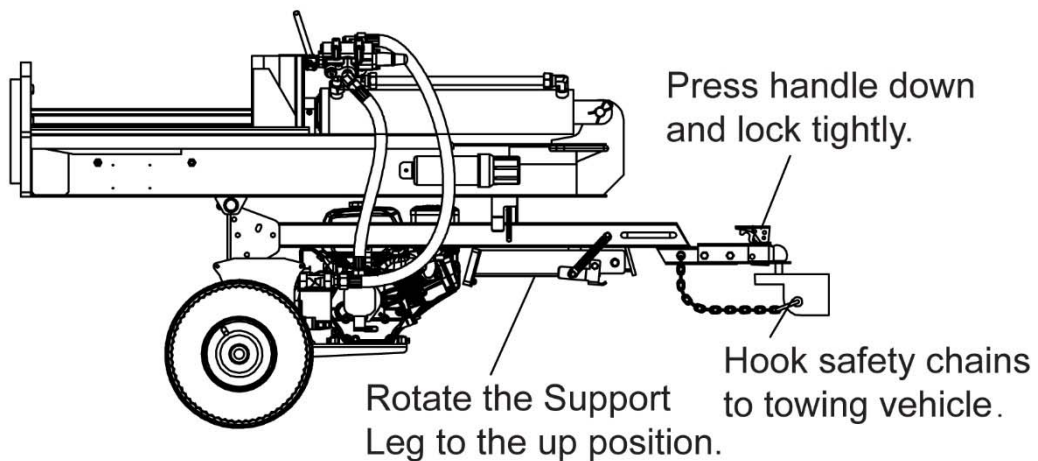
VERTICAL POSITION

1. Pull beam lock pin.
2. Rotate the beam to the upright position by lifting the beam.



Upright position for splitting large logs.

FOR VEHICLE TOWING



Press handle down and lock tightly.

Hook safety chains to towing vehicle.

Rotate the Support Leg to the up position.

TROUBLESHOOTING

Problem	Cause	Solution
Engine will not start	Engine switch in "OFF" position	Move switch to "ON" position
	Fuel shut-off valve in "OFF" position	Move valve to "ON" position
	No fuel	Add fuel
	Faulty spark plug	Replace the spark plug
	Spark plug is disconnected	Connect the spark plug
	Unit is loaded during start up	Move valve handle back and forth, remove load
Engine shuts off during operation	Out of fuel	Fill the fuel tank
	Low oil level	Fill the crankcase to the proper oil level
Wedge movement is slow or erratic	Air in the hydraulic oil system	Purge air by extending and retracting the wedge several time until motion is smooth
	Debris lodged in beam guides	Clear debris from beam
	Low hydraulic oil	Check oil level and add as needed
Wedge will not extend or retract	Faulty control valve	Contact customer service
	Faulty hydraulic pump	Contact customer service
	Low hydraulic oil	Check oil level and add as needed
Wedge does not auto-return	Low hydraulic oil	Check oil level and add as needed
	Faulty control valve	Contact customer service
Excessive bouncing while towing	Under-inflated tires	Inflate tires to proper pressure level

For further technical support please contact:

YTL International Inc.
 17517 Fabrica Way Suite H
 Cerritos, CA 90703
 Phone: (888) 723-6534
 Phone: (562) 404-8016
 Fax: (562) 404-8013
 Email: parts@ytlinternational.com
 Website: www.ytlinternational.com

Log Splitter Parts and Service:

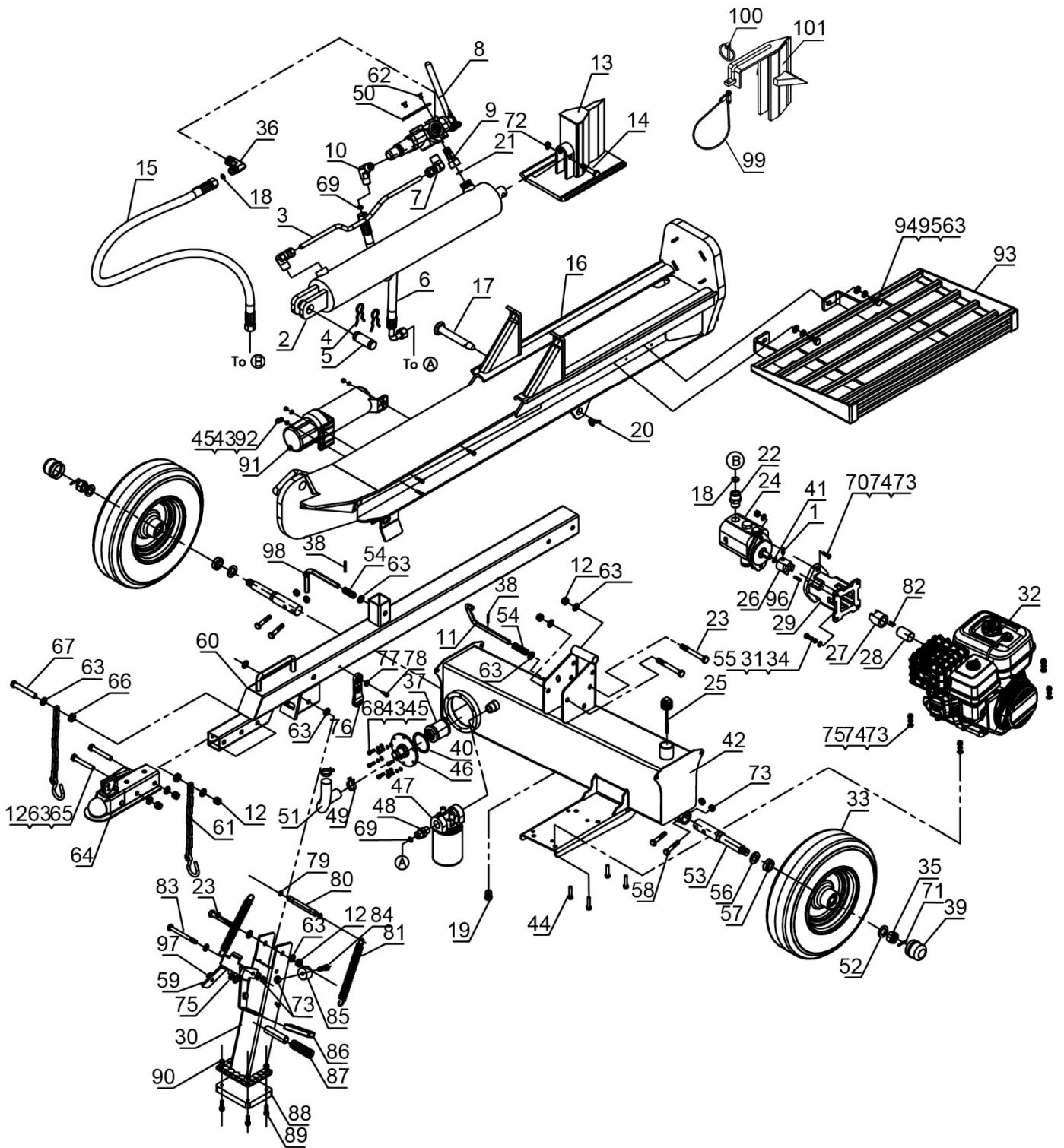
Toll Free (888) 723-6534

SPECIFICATIONS

Max. Splitting Force.....	37 Ton
Cycle Time.....	11 Sec
(Cycle time can vary with many mechanical and environmental factors, our published cycle time is for ideal conditions)	
Wedge Height.....	10” Hardened Steel
Gear Pump	20 GPM, 2-Stage
Hydraulic Oil	AW32, AW46 & Universal Hydraulic Oil
Hydraulic Capacity	8.35 Gallon
Max. Log Length.....	26”
Hydraulic Cylinder	5” x 24”
Max. Pressure	3814PSI
Wheel Size	6.5-8 wheel with 18” outside diameter D.O.T tires
Hitch Type	2” Ball Coupler
Max. Towing Speed	45 MPH
Manual Start Engine.....	420cc

NOTE: For Engine Details Refer to the Engine Owner’s Manual.

DRAWING & PARTS LIST



DRAWING & PARTS LIST

Ref#	Drawing No.	Description	Qty
1	9121-06010-FH	Inner Hex Cone Point Set Screw M6x10	1
2	LSP3700-08000-RB4009	Cylinder	1
3	LSP25-00001-DX	Metal Tube	1
4	LSP25-00005-DX	R Pin	2
5	LSP25-00004-DX	Cylinder Pin	1
6	LSP3700-00012	Hydraulic Hose(valve- external filter)	1
7	LSP25-06000	Connector	2
8	LSA22-09000	Control Valve	1
9	LSP25-17000	Combination Connector	1
10	LSP25-00002-DX	130° Joint	1
11	LSP25-00006-DX	Pin	1
12	9206-12000-DX	Nylon Lock Nut M12	6
13	LSP4001-03000-RB4009	Wedge	1
14	9101-14080-DX8.8	Hex Bolt M14x80	1
15	LSP3700-00013	Hydraulic Hose(valve- gear pump)	1
16	LSP3700-01000-R3204	Beam	1
17	LSP3700-00001-DX	Hitch Pin	1
18	9901-14X2.5	O Ring Ø14x2.5	2
19	LSP25-00010-DX	Oil Plug	1
20	LSP25-00012-DX	R Pin	1
21	9901-15.2X2.4	O Ring Ø15.2x2.4	1
22	LSP3700-00002-DX	Gear Pump Connector	1
23	9101-12100-DX8.8	Hex Bolt M12x100	3
24	LSP3700-05001	Gear Pump 18/3.0	1
25	LSP25-13000	Fill Plug	1
26	LSP4001-06002-FH	Gear Pump Coupling	1
27	LSP30A-10004-FH	Engine Coupling	1
28	LSP4001-06004-DX	Engine Axle Sleeve	1
29	LSP3700-05002	Gear Pump Stand	1
30	LSP3700-04000-RB4009	Front Support Leg Assembly	1
31	9306-08000-DX	Lock Washer Ø8	4
32	LSP30A-10003	Engine	1
33	LSF3000-18000-S0139	Wheel Assembly	2
34	9301-08000-DX	Flat Washer Ø8	4
35	LSP25-00020-FH	Hex Slotted Thin Nut M20x1.5	2
36	LSP30-00003-DX	Angle Connector	1
37	LSP30-00007	Oil Filter	1

Ref#	Drawing No.	Description	Qty
38	9404-03030-DX	Cotter Pin Ø3x30	2
39	LSP25-00009-DX	Axle Cap	2
40	LSP30-00006	Rubber Washer	1
41	LSP4001-06003-FH	Steel Wire Snap Ring for Shaft	1
42	LSP3700-02000-RB4009	Hydraulic Tank	1
43	9301-06000-DX	Flat Washer Ø6	9
44	9101-10050-DX8.8	Hex Bolt M10x50	4
45	9101-06020-DX8.8	Hex Bolt M6x20	9
46	LSP4001-13000-DX	Filter Mounting Plate	1
47	LSP25-09000	Spin-on Filter	1
48	LSP25-00007-DX	Connector	1
49	LSP4001-00013	Clamp	2
50	LSP2700-00005	Plate	1
51	LSP3700-00004	Clear Oil Pipe	1
52	9301-20000-DX	Flat Washer Ø20	2
53	LSP3700-00003-FH	Wheel Axle	2
54	LSP25-00003-DX	Spring	2
55	MZ01-08025-DX8.8	Hex Bolt M8x25	4
56	LSP25-14002	Oil Seal	2
57	L44643	Tapered Roller Bearing	4
58	9101-10055-DX8.8	Hex Bolt M10x55	4
59	LSP2501-09000	Support Lock Weldment	1
60	LSP3700-03000-RB4009	Tow Bar Assembly	1
61	LSP25-11000-DX	Chain	2
62	9110-08010-DX	Screw M8x10	2
63	9301-12000-DX	Flat Washer Ø12	14
64	Z103	2" Coupler	1
65	9101-12080-DX8.8	Hex Bolt M12x80	2
66	LSP25-00015-DX	Thick Washer	2
67	9101-12090-DX8.8	Hex Bolt M12x90	1
68	9306-06000-DX	Lock Washer Ø6	6
69	9901-17X2.5	Gear Pump Flat Key	2
70	9101-10035-DX8.8	Hex Bolt M10x35	2
71	9404-04036-DX	Cotter Pin Ø4x36	2
72	9206-14000-DX	Nylon Lock Nut M14	1
73	9206-10000-DX	Nylon Lock Nut M10	12
74	9306-10000-DX	Lock Washer Ø10	6
75	9301-10000-DX	Flat Washer Ø10	8

Ref#	Drawing No.	Description	Qty
76	LSP2501-00011	Connecting Belt	1
77	9302-06000-DX	Large Flat Washer Ø6	1
78	9199-06325-CD	Hex Flange Head Tapping Screw ST6.3×25	1
79	9304-01500	Circlip for Shaft Ø15	2
80	LSF3000-00003	Spring Pin	1
81	LSF3000-00006	Spring for Support Leg	2
82	LSP3700-05004	Engine Flat Key	1
83	9101-10110-DX8.8	Hex Bolt M10x110	1
84	9105-10030	Hex Socket Round Head Screw M10x30	1
85	LSF3000-00050	Rubber Mat	1
86	N560-00019	Handle Sleeve	1
87	E050-05002	Gum Cover	1
88	LSF3000-00051	Elastic Cushion	1
89	9105-08025-DX	Hex Socket Round Head Screw M8x25	4
90	9206-08000-DX	Nylon Lock Nut M8	4
91	LSP30MD-02000	Manual Canister	1
92	9206-06000-DX	Nylon Lock Nut M6	3
93	LSP30C-12100-RB4009	Log Table	1
94	9101-12030-DX8.8	Hex Bolt M12x30	2
95	9306-12000-DX	Lock Washer Ø12	2
96	LSP3700-05003	Gear Pump Flat Key	1
97	LSF3000-00004	Spring Pendant	2
98	LSP25-00008-DX	Pin	1
99	LSP0039-02000	Steel Wire Rope	1
100	TS600-00009	O Lock Ring	1
101	LSP0039-10000-RB4009	4-way Wedge	1

LIMITED WARRANTY

Warranty

For 3 years from the date of purchase YTL International will replace or repair defects in material and workmanship for the original purchaser of the log splitter. For 3 years the engine warranty is covered per the engine manufactures warranty. For 1 year from date of purchase YTL International will replace the hydraulic system component parts. The warranty will not apply to any unit which was not assembled correctly, misused, overloaded or which has been used or operated contrary to our instructions, or which has been repaired or altered by anyone other than a service representative authorized by YTL International Inc.

Warranty Exclusions

This warranty does not cover cosmetic defects such as paint, decals or wear items such as tires. This warranty will not cover failures or problems due to acts of God, or events or forces beyond the control of the manufacturer.

Normal Wear Exclusion

The log splitter needs periodic service to perform well. This warranty does not cover repair when normal use has exhausted the life of a part or the equipment as a whole.

Installation, Use and Maintenance Exclusion

This warranty will not apply to parts and/or labor if the log splitter has been misused, neglected, involved in an accident, abused, loaded beyond its limits, modified or assembled incorrectly. Normal maintenance is not covered under this warranty.

Limits of Implied Warranty and Consequential Damage Exclusion

YTL International disclaims any obligation to cover any loss of time, use of this product, freight, or any incidental or consequential claim by anyone from using this log splitter. THIS WARRANTY IS IN LIEU OF ALL OTHER WARRANTIES, EXPRESS OR IMPLIED, INCLUDING WARRANTIES OF MERCHANTABILITY OR FITNESS FOR A PARTICULAR.

An exchange unit will be subject to the original warranty. The length of the warranty governing the exchanged unit will have the date as the purchase date of the original unit. This warranty gives you certain legal rights which may change from state to state. Your state may also have other rights you may be entitled to that are not listed within this warranty.

Contact Information

YTL International Inc.
17517 Fabrica Way Suite H
Cerritos, CA 90703
Phone: (888) 723-6534
Phone: (562) 404-8016
Fax: (562) 404-8013
Email: parts@ytlinternational.com
Website: www.ytlinternational.com

Contact Information below for Warranty and Service

Log Splitter Parts and Service:

Toll Free (888) 723-6534